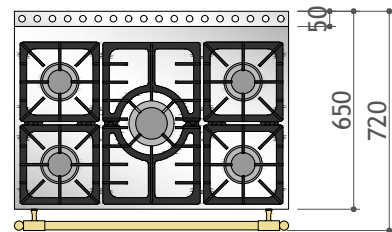
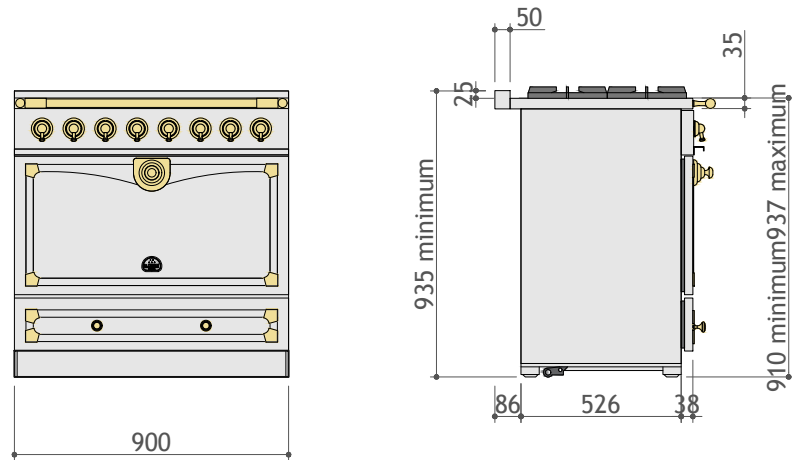
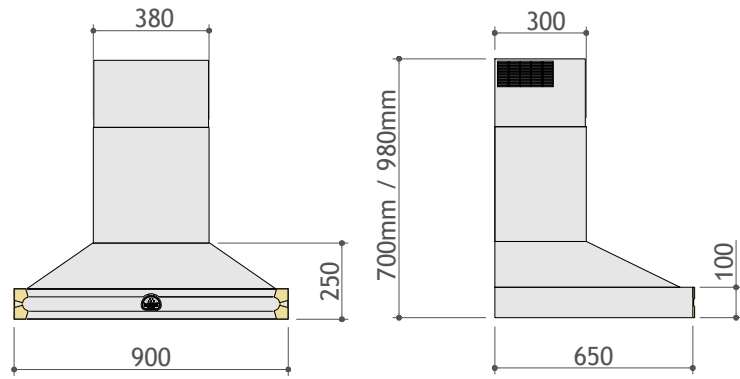
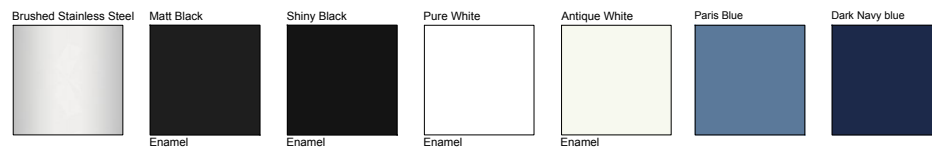



# ALBERTINE 90



- 2 gas burners (2 x 13.3mj)
- 1 single gas burner (20.2mj)
- 2 gas burners (back burner 13.3mj, front burner 6.5mj)

## Colours



Australia		Client:	
Address:		Date: 21.05.2021	
Quotation Number:		Rev: VERSION 1	
Colour:		Kitchen drawn by: Ian Johansson	
Trim:		Albertine 90	
www.lacomue.com.au			
Ech: 1:25	Format: A4	Dimensions: en mm	Project: