

FREESTANDING SINGLE FREEZER

SGNbs 3011



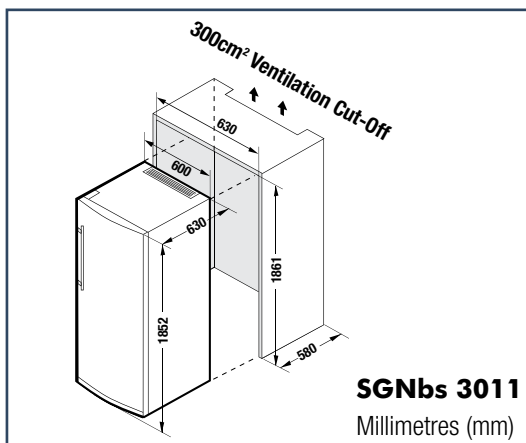
LIEBHERR

Quality, Design and Innovation

LIEBHERR FREESTANDING SINGLE FREEZER SGNbs 3011



No Frost	Ice Maker	Soft System	Telescopic Rails	3 Year Warranty
----------	-----------	-------------	------------------	-----------------



Model	SGNbs 3011
Type Finish	FS BlackSteel
Energy consumption (kWh/yr) Star rating	320 3.5
Compressors	1
Total capacity litres (L) - Gross Net	304 256
Refrigerator gross (L) Refrigerator Net (L)	-
Freezer gross (L) Freezer net (L)	304 256
BioFresh gross (L) BioFresh net (L)	-
MagicEye control system Display	SoftTouch LCD
Child proof setting for display & temp.	•
LED standard lighting	•
SlimLine handle - integrated opening device	•
SoftSystem hinge - assists closure	•
Door open warning signal	•
Temperature alarm	•
Malfunction warning signal	•

Freezer Features

Freezer defrosting	Frost Free
FrostSafe system with transparent drawers	•
Freezer drawers Ice cube drawers	8 1
SuperFrost	•
VarioSpace	•
24hr freezing capacity (kg)	18
Cold storage accumulators	2
IceMaker	•
Ice cube capacity (kg/24hr)	0.8
Ice cube max. (kg)	1.5
Stainless steel hose supplied (m)	1.5

Technical Information

Default hinge	Left
Voltage (V) Current (A)	220-240 1.3
Made In	Germany

Whilst every effort is made to ensure all specifications and information in this flyer are correct at time of printing, Andi-Co Australia Pty. Ltd. reserve the right to make changes without notification. Where actual appliance measurements, specifications and ratings are crucial, we recommend that the actual appliance installation instructions that accompany each appliance be checked. Andi-Co Australia will not be liable for any loss.

KEY: FS = Freestanding. Cavity clearance for freestanding units please allow min. 50 mm above the unit if there is no ventilation cut-out.