

INTEGRATED APPLIANCES

ECBN 5066

NEW

Stainless Steel
Panels & Handles
Available!*

Part #	Description
39900287	Stainless Steel Fridge Door Panel 80" (1 Piece)
39900283	Stainless Steel Freezer Door Panels (2 Pieces)
39900279	Stainless Steel 3/4" Round Handles (3 Pieces)
39900281	Rectangular Aluminium Handles (3 Pieces) (not pictured)



LIEBHERR

LIEBHERR 75CM INTEGRATED BOTTOM MOUNT ECBN 5066

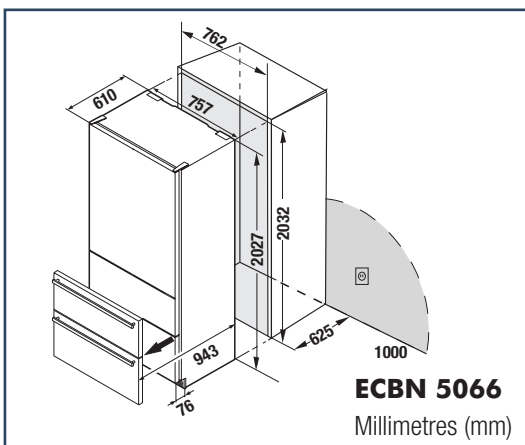


Bio Fresh

Built-in

Ice Maker

No Frost



Whilst every effort is made to ensure all specifications and information in this flyer are correct at time of printing, Andi-Co Australia Pty. Ltd. reserve the right to make changes without notification. Where actual appliance measurements, specifications and ratings are crucial, we recommend that the actual appliance installation instructions that accompany each appliance be checked. Andi-Co Australia will not be liable for any loss.

Model	ECBN 5066
Type	FI
Finish	Own cabinetry
Energy consumption (kWh/yr) Star rating	489kWh 2.5
Compressors	2
Total capacity litres (L) - Gross Net	462 387
Refrigerator gross (L) net (L)	248 223
Freezer gross (L) net (L)	148 103
BioFresh gross (L) net (L)	66 61
MagicEye control system Display	SoftTouch LCD
Child proof setting for display & temp.	•
PremiumPlus lighting	•
Sabbath mode	•
Door open warning signal	•
Temperature alarm	•
Malfunction warning signal	•
Optional extra stainless steel panels & handles	•

Refrigerator Features

BioFresh drawers on telescopic rails	2
SuperCool	•
GlassLine shelves	•
Elegant holding columns	•
Bottle shelf Egg tray	Integrated •
Automatic refrigerator defrosting	•

Freezer Features

Freezer defrosting	Frost Free
FrostSafe system - transparent drawers	• (white)
Freezer drawers Ice cube drawer	2 1
SuperFrost	•
24hr freezing capacity (kg)	12
IceMaker	•
Ice cube capacity (kg/24h)	1.0
Ice cube stock max. (kg)	2.7
Stainless steel hose supplied (m)	3

Technical Information

Default hinge	Right
Voltage (V) Rated Current (A)	220-240 1.5
Made in	Austria

KEY: FI = Fully Integrated. Door hinging either right or left hand must be nominated for this model.

*Please note: the Stainless Steel Door Panels & Handles pictured on the ECBN 5066 integrated bottom mount are not included when purchasing the appliance. They are available as an optional extra at an additional charge.

Please note: An additional charge will be incurred to convert this appliance to left hand hinge.