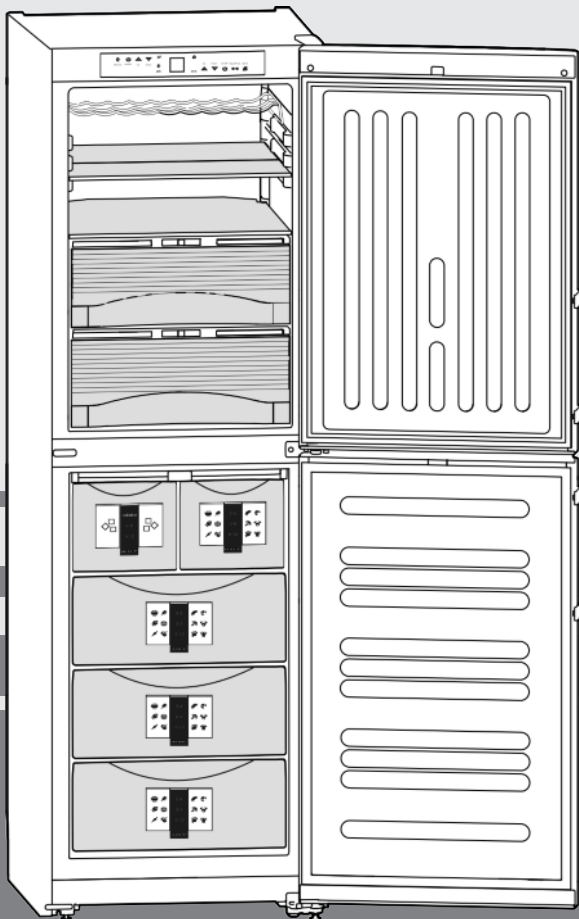


Operating instructions

Combined BioFresh-freezer

GB



050614 **7085674 - 01**

BNes/SBNes ... 6

LIEBHERR

Appliance at a glance

Contents

| | | |
|----------|---|-----------|
| 1 | Appliance at a glance | 2 |
| 1.1 | Description of appliance and equipment..... | 2 |
| 1.2 | Range of appliance use..... | 2 |
| 1.3 | Conformity..... | 3 |
| 1.4 | External dimensions of the appliance..... | 3 |
| 1.5 | Saving energy..... | 3 |
| 1.6 | HomeDialog..... | 3 |
| 2 | General safety information | 3 |
| 3 | Controls and displays | 4 |
| 3.1 | Operating and control elements..... | 4 |
| 3.2 | Temperature display..... | 5 |
| 4 | Putting into operation | 5 |
| 4.1 | Transporting the appliance..... | 5 |
| 4.2 | Installing the appliance..... | 5 |
| 4.3 | Changing over the door hinges..... | 6 |
| 4.4 | Water connection..... | 8 |
| 4.5 | Insertion into a row of kitchen units..... | 9 |
| 4.6 | Disposing of packaging..... | 9 |
| 4.7 | Connecting the appliance..... | 9 |
| 4.8 | Switching on the appliance..... | 9 |
| 5 | Control | 10 |
| 5.1 | Brightness of the temperature display..... | 10 |
| 5.2 | Child proofing..... | 10 |
| 5.3 | Door alarm..... | 10 |
| 5.4 | Temperature alarm..... | 10 |
| 5.5 | BioFresh compartment..... | 10 |
| 5.6 | Freezer compartment..... | 12 |
| 6 | Maintenance | 14 |
| 6.1 | Defrosting with NoFrost..... | 14 |
| 6.2 | Cleaning the appliance..... | 14 |
| 6.3 | Cleaning the IceMaker..... | 14 |
| 6.4 | Customer service..... | 15 |
| 7 | Malfunction | 15 |
| 8 | Decommissioning | 16 |
| 8.1 | Switching off the appliance..... | 16 |
| 8.2 | Taking the appliance out of service..... | 16 |
| 9 | Disposing of the appliance | 16 |

The manufacturer works constantly on the further development of all the types and models. Therefore please understand that we have to reserve the right to make design, equipment and technical modifications.

To get to know all the benefits of your new appliance, please read the information contained in these instructions carefully.

The instructions apply to several models. Differences may occur. Text relating only to specific appliances is marked with an asterisk (*).

Instructions for action are marked with a ►, the results of action are marked with a ▷.

1 Appliance at a glance

1.1 Description of appliance and equipment

Note

► Shelves, drawers and baskets are arranged for optimum energy efficiency on delivery.

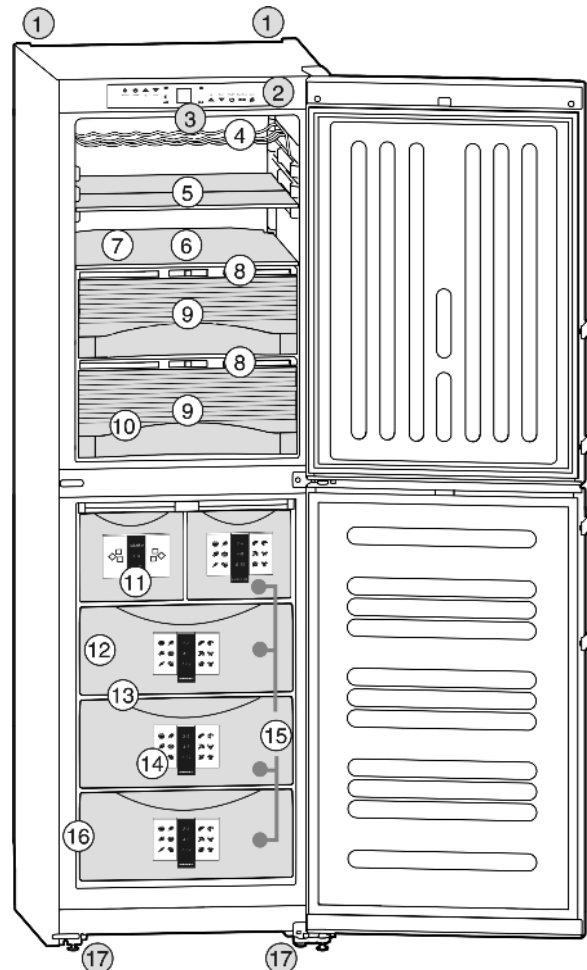


Fig. 1

- | | |
|--|---|
| (1) Transport grips at back | (10) Drain hole |
| (2) Operating and control elements | (11) IceMaker |
| (3) Interior light | (12) Cold storage accumulator |
| (4) Bottle shelf | (13) VarioSpace |
| (5) Shelf, sectioned | (14) Information system |
| (6) Shelf | (15) Drawers |
| (7) Storage zone with relatively dry climate | (16) Type plate |
| (8) BioFresh controller | (17) Adjustable feet, transport grips at front, transport castors at back |

(9) HydroSafe

1.2 Range of appliance use

Intended use

The appliance is suitable solely for cooling food in a domestic environment or similar. This includes use in, for example

- in staff kitchenettes, bed and breakfast establishments,
- by guests in country cottages, hotels, motels and other accommodation,
- for catering and similar services in the wholesale trade.

Use the appliance solely in a domestic type of environment. All other applications are inadmissible.

Foreseeable misuse

The following applications are expressly prohibited:

- Storage and cooling of medicines, blood plasma, laboratory compounds or similar materials and products subject to the Medical Devices Directive 2007/47/EC
- Use in potentially explosive areas

Improper use of the appliance can lead to damage to or spoilage of the stored goods.

Climate rating definitions

The appliance is set to operate within specific ambient temperature limits according to its climate rating. The correct climate rating for your appliance is indicated on the type plate.

Note

- Compliance with the ambient temperatures indicated is required, otherwise the cooling performance is reduced.

| Climate rating | for ambient temperatures of |
|----------------|-----------------------------|
| SN | 10 °C to 32 °C |
| N | 16 °C to 32 °C |
| ST | 16 °C to 38 °C |
| T | 16 °C to 43 °C |

1.3 Conformity

The refrigerant circuit is tested for leakage. The appliance complies with the relevant safety regulations and EC Directives 2006/95/EC, 2004/108/EC, 2009/125/EC and 2010/30/EU.

The BioFresh compartment satisfies the requirements of a chill compartment to EN ISO 15502.

Note for test institutions:

Tests are to be carried out according to the applicable standards and guidelines. Preparation and testing of the appliances must be carried out taking the **manufacturer's loading plans** and the **notes in the operating manual** into account.

1.4 External dimensions of the appliance

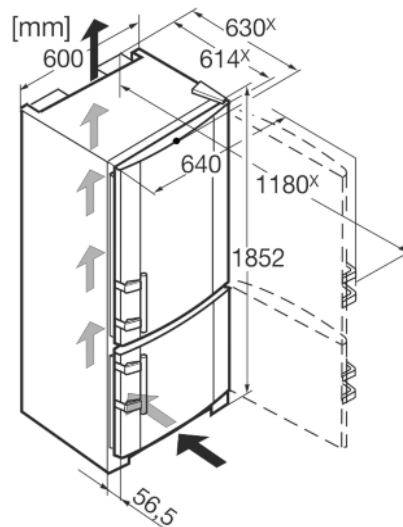


Fig. 2

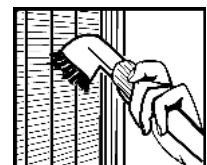
* For appliances supplied with wall spacers, the measurement increases by 35 mm (see 4.2).

1.5 Saving energy

- Always ensure good ventilation. Do not cover ventilation openings or grille.
- Always keep fan louvres clear.
- Do not place appliance in areas of direct sunlight or next to a stove, heater or similar object.
- The energy consumption depends on the installation conditions, e.g. the ambient temperature (see 1.2).
- Keep the time the appliance is open to a minimum.
- The lower the temperature setting, the higher the power consumption.
- Store food logically. (see Appliance at a glance).
- Ensure that all food is well packed and covered for storage. This will prevent frost from forming.
- Remove food as needed in order that it does not warm too much.
- First cool warm food to room temperature before storing it.

Accumulated dust increases the energy consumption:

- Once a year, dust the refrigerating unit together with the metal grille of the heat exchanger at the back of the appliance.



1.6 HomeDialog

Depending on model and options, the HomeDialog system can be used to network a number of Liebherr appliances (situated, for example, in the basement) with a main appliance (sited, for example, in the kitchen) and control them via the latter. You will find more information on the benefits, requirements and principle of operation on the internet at www.liebherr.com.



2 General safety information

Danger for the user:

- This appliance can be used by children of 8 years old and over, and also by persons with restricted physical, sensory or mental

Controls and displays

- capacity or lack of experience and knowledge, if they are supervised or have been instructed on safe use of the appliance and understand the resulting risks. Children must not be allowed to play with the appliance. Cleaning and user maintenance must not be carried out by children without supervision.
- When disconnecting the appliance from the supply, always take hold of the plug. Do not pull the cable.
- In the event of a fault pull out the mains plug or deactivate the fuse.
- Do not damage the mains power cable. Do not operate the appliance with a defective mains power cable.
- Have any repairs to or intervention in the appliance, and any change of the mains power cable, carried out by the customer service only or by other specialised personnel trained for the purpose.
- Only assemble, connect and dispose of the appliance according to the instructions.
- Please keep these instructions in a safe place and pass them on to any subsequent owners.
- All repairs to and intervention in the IceMaker may be carried out only by service personnel or by other skilled personnel trained for the purpose.
- The manufacturer is not liable for damage caused by a faulty fixed water connection.
- Special-purpose lamps (incandescent lamps, LEDs, fluorescent tubes) in the appliance serve to illuminate the appliance interior and are not suited for room illumination.

Fire hazard:

- The refrigerant R 600a is environmentally friendly but flammable. Escaping refrigerant may ignite.
 - Do not damage the refrigerant circuit pipes.
 - Do not allow naked flames or ignition sources to enter the appliance.
 - Do not use any electrical appliances in the interior (e.g. steam cleaners, heaters, ice cream maker etc.).
 - If refrigerant escapes: remove any naked flames or sources of ignition from the leakage area. Ventilate the room well. Notify the after-sales service.
- Do not store explosives or sprays using combustible propellants such as butane, propane, pentane, etc. in the appliance. To identify these spray cans, look for the list of contents printed on the can, or a flame symbol. Gases possibly escaping may ignite due to electrical components.

- Keep burning candles, lamps and other items with naked flames away from the appliance so that they do not set the appliance on fire.
- Please be sure to store alcoholic drinks or other packaging containing alcohol in tightly closed containers. Any alcohol that leaks out may be ignited by electrical components.

Danger of tipping and falling:

- Do not misuse the plinth, drawers, doors etc. as a step or for support. This applies particularly to children.

Danger of food poisoning:

- Do not consume food which has been stored too long.




Danger of frostbite, numbness and pain:

- Avoid lasting skin contact with cold surfaces or refrigerated/frozen food or take protective steps, e.g. wear gloves. Do not consume ice cream, water ice or ice cubes immediately and do not consume them too cold.

Danger of injury and damage:

- Hot steam can lead to injury. Do not use electrical heating or steam cleaning equipment, open flames or defrosting sprays to defrost.
- Do not use sharp implements to remove the ice.

Please observe the specific information in the other sections:

| | | |
|---|---------|---|
|  | DANGER | identifies a situation involving direct danger which, if not obviated, may result in death or severe bodily injury. |
|  | WARNING | identifies a dangerous situation which, if not obviated, may result in death or severe bodily injury. |
|  | CAUTION | identifies a dangerous situation which, if not obviated, may result in minor or medium bodily injury. |
| | NOTICE | identifies a dangerous situation which, if not obviated, may result in damage to property. |
| | Note | identifies useful information and tips. |

3 Controls and displays

3.1 Operating and control elements

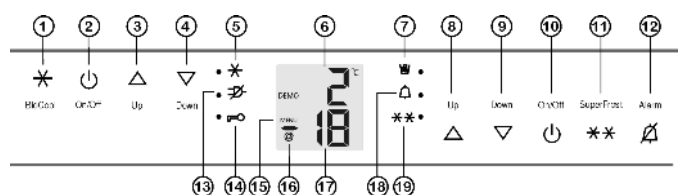


Fig. 3

(1) BioCool button

(11) SuperFrost button

- | | |
|---|--|
| (2) On/Off button, BioFresh compartment | (12) Alarm button |
| (3) Up setting button, BioFresh compartment | (13) Power failure symbol |
| (4) Down setting button, BioFresh compartment | (14) Child lock symbol |
| (5) BioCool symbol | (15) Menu symbol |
| (6) BioFresh compartment temperature display | (16) HomeDialog symbol |
| (7) IceMaker symbol | (17) Freezer compartment temperature display |
| (8) Up setting button, freezer compartment | (18) Alarm symbol |
| (9) Down setting button, freezer compartment | (19) SuperFrost symbol |
| (10) On/Off button, freezer compartment | |

3.2 Temperature display

The following are displayed in normal operation:

- the warmest freezing temperature
- the average BioFresh temperature


The freezer compartment temperature display flashes:

- the temperature setting is being changed
- after switch-on the temperature is not yet cold enough
- the temperature has risen several degrees

Dashes flash in the display:

- the freezer temperature is above 0 °C.

The following displays indicate malfunction. Possible causes and corrective action (see Malfunction).

- **F0** to **F9**
- **FE**
- The LED of the power failure symbol  flashes.

4 Putting into operation

4.1 Transporting the appliance



CAUTION

Risk of injury and danger of damage as a result of incorrect transport!

- ▶ Transport the appliance in a packed condition.
- ▶ Transport the appliance upright.
- ▶ Do not transport the appliance without assistance.

4.2 Installing the appliance



WARNING

Fire hazard due to dampness!

If live parts or the mains lead become damp this may cause short circuits.

- ▶ The appliance is designed for use in enclosed areas. Do not operate the appliance outdoors or in areas where it is exposed to splash water or damp conditions.



WARNING

Risk of fire due to short circuit!

If the mains cable/connector of the appliance or of another appliance touch the rear of the appliance, the mains cable/connector may be damaged by the appliance vibrations, leading to a short circuit.

- ▶ Stand the appliance so that it is not touched by connectors or main cables.
- ▶ Do not plug the appliance or any others into sockets located near the rear of the appliance.



WARNING

Fire hazard due to refrigerant!

The refrigerant R 600a is environmentally friendly but flammable. Escaping refrigerant may ignite.

- ▶ Do not damage the piping of the refrigeration circuit.



WARNING

Fire hazard and danger of damage!

- ▶ Do not place appliances emitting heat e.g. microwaves, toasters etc. on the appliance!

NOTICE

Risk of damage due to condensate!

If your appliance is not a Side-by-Side (SBS) appliance:

- ▶ do not install the appliance directly alongside a further refrigerator/freezer.

- In the event that the appliance is damaged, contact the supplier immediately before connecting to the mains.
- The floor at the site must be flat and level.
- Do not install the appliance in a location where it is exposed to direct radiation of the sun, next to a cooker, heater and similar.
- Always stand the appliance backed directly to the wall using the enclosed wall spacers (see below).
- The appliance may be moved only when it is empty.
- Do not install the appliance without assistance.
- The more R 600a refrigerant there is in the appliance, the larger the room in which the appliance is standing needs to be. In rooms that are too small, a flammable mix of gas and air may be created if there is a leak. According to the EN 378 standard, every 11 g of R 600a refrigerant requires at least 1 m³ space in the room for the appliance. The amount of refrigerant in your appliance is on the type plate inside the appliance.
- ▶ Detach the connecting cable from the rear of the appliance, removing the cable holder at the same time because otherwise there will be vibratory noise!
- ▶ Remove the protective film from the outside of the appliance.

NOTICE

The stainless steel doors are provided with a high-quality surface coating and must not be treated using the accompanying care product.



Otherwise the surface coating will be affected.

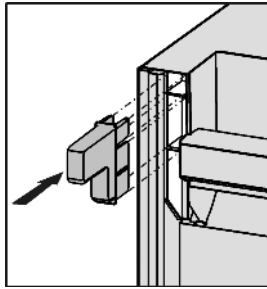
- ▶ Wipe the coated **door surfaces** using a soft, clean cloth only.
- ▶ Apply a stainless steel cleaner only to the **stainless steel side walls** evenly, wiping with the grain. Subsequent cleaning becomes easier as a result.
- ▶ Wipe **side walls with a paint finish** using a soft, clean cloth only.

Putting into operation

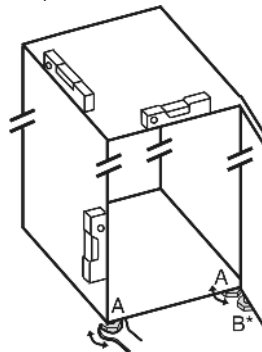
- ▶ Remove all transit supports.

The spacers supplied with some appliances must be used to achieve the stated energy consumption. These will extend the depth of the appliance by approx. 35 mm. The appliance is fully functional if the spacers are not used, but does have a slightly higher energy consumption.

- ▶ In the case of an appliance with enclosed wall spacers, mount the wall spacers on the back of the appliance at the top left and right.



- ▶ Dispose of packaging material (see 4.6).
- ▶ Align the appliance so that it stands firmly and on a level by applying the accompanying spanner to the adjustable-height feet (A) and using a spirit level.
- ▶ Then support the door: Extend the adjustable foot at the turn hinge (B) until it rests on the floor and then make a further 90° turn.



When a Side-by-Side appliance (S...) is fitted together with a second appliance (as a SBS combination):

- ▶ Proceed according to the Side-by-Side combined fridge-freezer installation instructions. (Accessories bag of the SBS freezer/appliance with freezer compartment)

Note

- ▶ Clean the appliance (see 6.2).

If the appliance is installed in a very damp environment, condensate may form on the outside of the appliance.

- ▶ Always see to good ventilation at the installation site.

4.3 Changing over the door hinges

You can change over the door hinges if necessary.

NOTICE

Risk of damage to side-by-side appliances due to condensation!

When a side-by-side appliance (S...) is fitted together with a second appliance (as a SBS combination), the door hinges must remain as delivered.

- ▶ Do not change over the door hinges.

Ensure that the following tools are to hand:

- Torx® 25
- Torx® 15
- Screwdriver
- Cordless screwdriver, if necessary
- Second person for fitting work, if needed
- Accompanying Allen key size 2*

4.3.1 Detaching the upper door

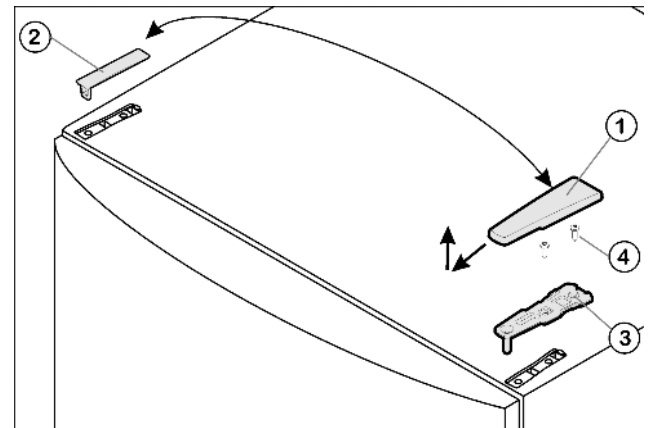


Fig. 4

- ▶ Close the upper door.
- ▶ Pull off the cover Fig. 4 (1) forwards and upwards.
- ▶ Lift off the cover Fig. 4 (2).



CAUTION

Risk of injury if the door tips!

- ▶ Take good hold of the door.
- ▶ Set down the door carefully.

- ▶ Unscrew the upper turn hinge Fig. 4 (3) (2x Torx® 25) Fig. 4 (4) and lift it off.
- ▶ Lift up the upper door and set it aside.

4.3.2 Detaching the lower door

- ▶ Close the lower door.
- ▶ Draw the middle bearing pin Fig. 5 (11) out of the turn hinge and lower door.
- ▶ Remove the plastic cap Fig. 5 (10).



CAUTION

Risk of injury if the door tips!

- ▶ Take good hold of the door.
- ▶ Set down the door carefully.

- ▶ Open the lower door.
- ▶ Unscrew the middle turn hinge (2x Torx® 25). Fig. 5 (13)
- ▶ Lift up the door and set it aside.

4.3.3 Transferring the middle bearing elements

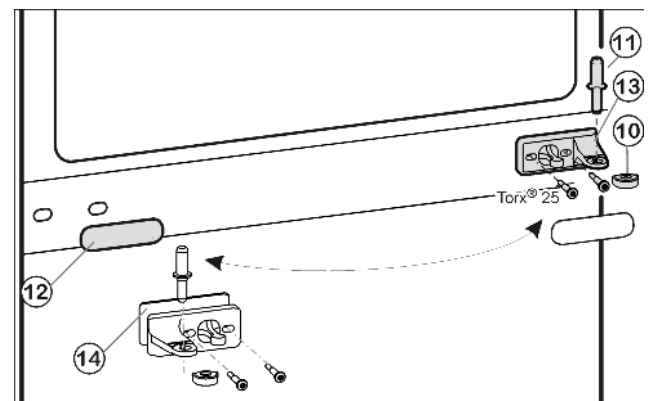


Fig. 5

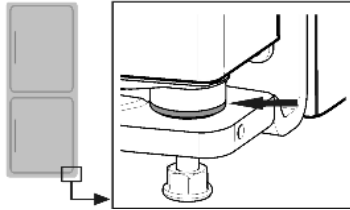
- ▶ Carefully detach the cover panel Fig. 5 (12).
- ▶ Turn the middle turn hinge Fig. 5 (13) with the washer Fig. 5 (14) through 180° and screw it firmly into place on the new hinge side (with 4 Nm).

- ▶ Turn the cover panel *Fig. 5 (12)* through 180° and snap it into place again on the new handle side.

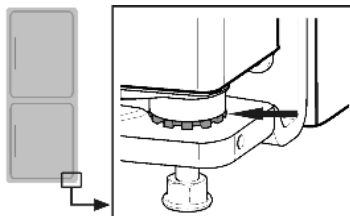
4.3.4 Distinguishing between bearing elements

Some appliances are height-adjustable, as can be noted from the bearing pin in the lower turn hinge:

- ▶ For appliances **without height adjustment**, continue with item (see 4.3.5).



- ▶ For appliances **with height adjustment**, continue with item (see 4.3.6).



4.3.5 Transferring the lower bearing elements

For appliances without height adjustment

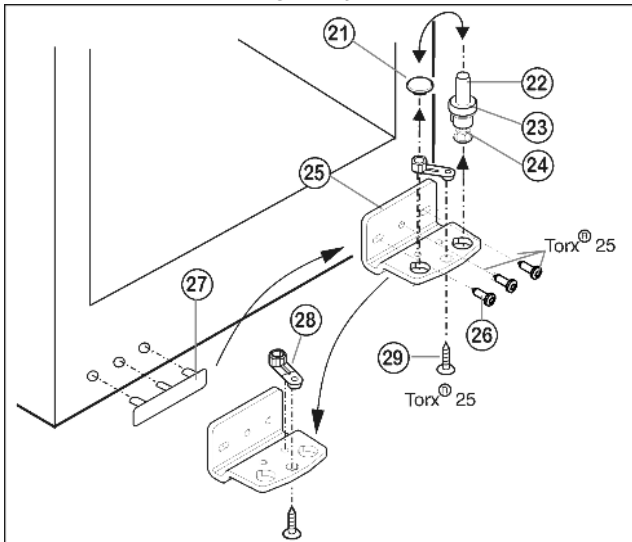


Fig. 6

- ▶ Lift out the bearing pin *Fig. 6 (22)* together with washer *Fig. 6 (23)* and foot *Fig. 6 (24)*.
- ▶ Lift off the stopper *Fig. 6 (21)*.
- ▶ Unscrew *Fig. 6 (26)* the turn hinge *Fig. 6 (25)*.
- ▶ Unscrew *Fig. 6 (29)* the bearing element *Fig. 6 (28)*, transfer it to the opposite location hole of the turn hinge and screw it firmly into place.
- ▶ Carefully lift off the cover on the handle side *Fig. 6 (27)* and transfer it to the opposite side.
- ▶ Screw the turn hinge *Fig. 6 (25)* firmly into place on the new hinge side, possibly using a cordless screwdriver (with 4 Nm).
- ▶ Re-insert the stopper *Fig. 6 (21)* into the other hole.
- ▶ Re-insert the bearing pin *Fig. 6 (22)* together with washer and foot. In so doing, pay attention that the locating lug points backwards

4.3.6 Changing the bearing parts

For appliances with height adjustment

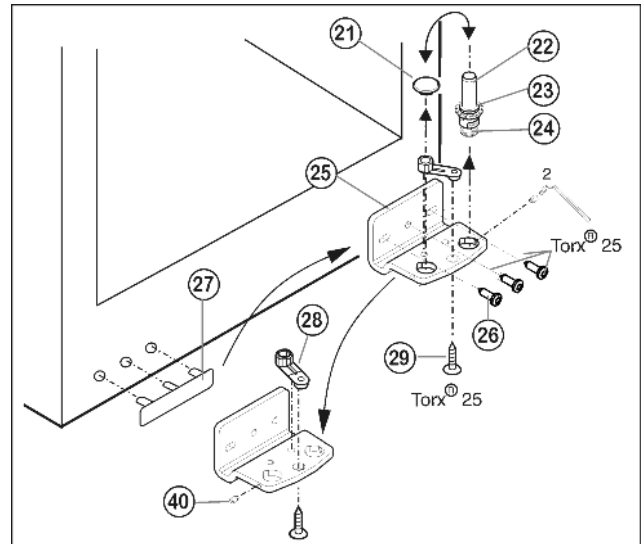


Fig. 7

- ▶ Using the accompanying Allen key, unscrew the threaded pin *Fig. 7 (40)* by about 1 turn.
- ▶ Turn and lift out the bearing pin *Fig. 7 (22)* together with the washer *Fig. 7 (23)* and adjustable-height foot *Fig. 7 (24)*.
- ▶ Lift out the stopper *Fig. 7 (21)*.
- ▶ Unscrew *Fig. 7 (26)* the turn hinge *Fig. 7 (25)*.
- ▶ Fully unscrew the threaded pin *Fig. 7 (40)* and screw it in on the opposite side, at the turn hinge, until it is flush outside with the turn hinge.
- ▶ Unscrew *Fig. 7 (29)* the bearing element *Fig. 7 (28)*, transfer it to the opposite location hole of the turn hinge and screw it firmly into place.
- ▶ Re-insert the stopper *Fig. 7 (21)* into the other hole.
- ▶ Carefully lift off the cover on the handle side *Fig. 7 (27)* and transfer it to the opposite side.
- ▶ Screw the turn hinge *Fig. 7 (25)* firmly into place on the new hinge side, possibly using a cordless screwdriver (with 4 Nm).
- ▶ Screw the bearing pin *Fig. 7 (22)* into place again, complete with washer and adjustable-height foot.
- ▶ Tighten the threaded pin *Fig. 7 (40)*.

4.3.7 Transferring the handles

On both the upper and lower door:

- ▶ Transfer the spring clamp *Fig. 8 (31)*: Depress the latch nose and pull the spring clamp off over it.
- ▶ Slide the spring clamp into place on the new hinge side until it clicks into place.

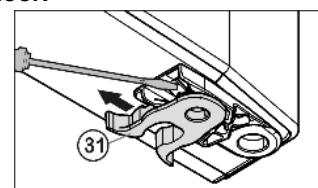


Fig. 8

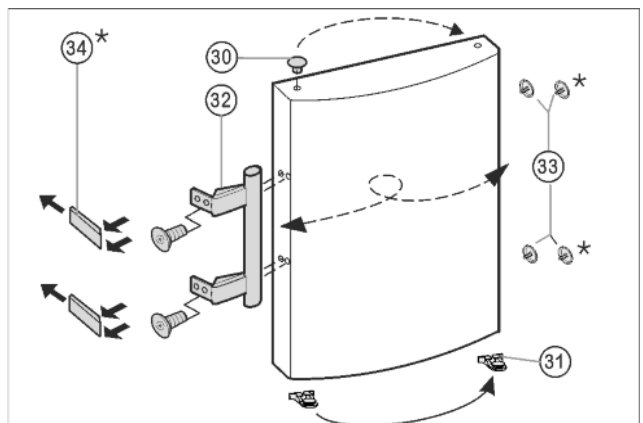


Fig. 9

Putting into operation

- ▶ Lift the stopper *Fig. 9 (30)* out of the door bearing bush and transfer it.
- ▶ Detach door handle *Fig. 9 (32)*, stopper *Fig. 9 (33)* and pressure plates *Fig. 9 (34)* and transfer to the opposite side.
- ▶ When fitting the pressure plates on the opposite side, make sure they snap properly into place*

4.3.8 Fitting the lower door

- ▶ Place the lower door from above onto the lower bearing pin *Fig. 7 (22)*.
- ▶ Close the door.
- ▶ Place the plastic cap *Fig. 5 (10)* back onto the middle turn hinge *Fig. 5 (13)*.
- ▶ Place the middle bearing pin *Fig. 5 (11)* in the lower door, on the new hinge side, through the middle turn hinge *Fig. 5 (13)*.

4.3.9 Fitting the upper door

- ▶ Place the upper door on the middle bearing pin *Fig. 5 (11)*.
- ▶ Insert the upper turn hinge *Fig. 4 (3)* in the door on the new hinge side.
- ▶ Screw the upper turn hinge **firmly** into place (**with 4 Nm**) (2x Torx® 25) *Fig. 4 (4)*. Possibly make preliminary holes with a bradawl or use a cordless screwdriver.
- ▶ Apply the cover *Fig. 4 (1)* and cover *Fig. 4 (2)* to the opposite side from the outside and snap them into place.

4.3.10 Aligning the doors

- ▶ If necessary, align the doors to the appliance housing by way of the two oblong holes in the bottom turn hinge *Fig. 7 (25)* and middle turn hinge *Fig. 5 (13)*. To do so, unscrew the middle screw in the bottom turn hinge *Fig. 7 (25)*.



WARNING

Risk of injury due to the door dropping out!
If the bearing parts are not screwed into place firmly enough, the door may drop out. This may lead to severe injuries. What is more, the door may not close and therefore the appliance may fail to cool properly.

- ▶ Screw the turn hinges firmly into place with 4 Nm.
- ▶ Check all of the screws and retighten if necessary.

4.4 Water connection



WARNING

Danger of electric shock!

- ▶ Disconnect the appliance by unplugging it before you connect it to the water line.
- ▶ Shut off the water supply before you connect the water feed lines of the IceMaker.
- ▶ The connection to the drinking water system may be carried out only by a qualified gas fitter and plumber.



WARNING

Risk of poisoning!

- ▶ The water quality has to comply with the drinking water ordinance of the respective country (e.g. 98/8)
- ▶ Connect to the drinking water supply only.
- ▶ The IceMaker serves exclusively for making ice cubes in household quantities and has to be operated with water suitable for the purpose.

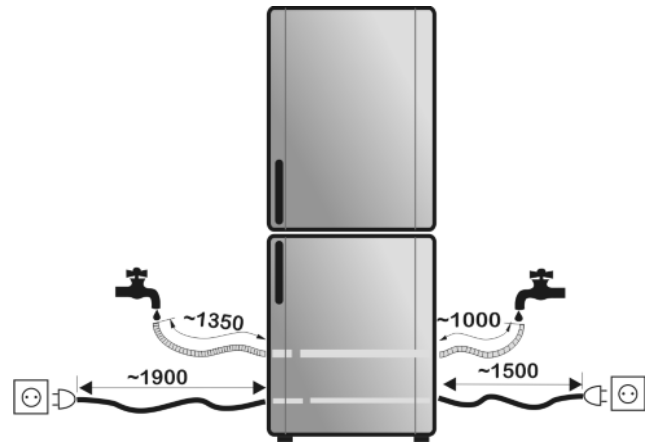


Fig. 10

- The water pressure has to be between 0.15 MPa and 0.6 MPa (1.5 bar - 6 bar).
- The water supply to the appliance must be via a cold water pipe which withstands the operating pressure and complies with the hygiene regulations. Use the accompanying stainless steel hose (1.5 m). Do not reuse old hoses. A 3 m hose is available from the customer service department and has to be fitted by an expert. In the hose connecting piece is a sieve with seal.
- Between the hose and the domestic water connection there has to be a stopcock to interrupt the water supply in case of need.
- All the fixtures and fittings used for water supply have to comply with the applicable regulations of the respective country.
- Do not damage or kink the water inlet pipe when installing the appliance.

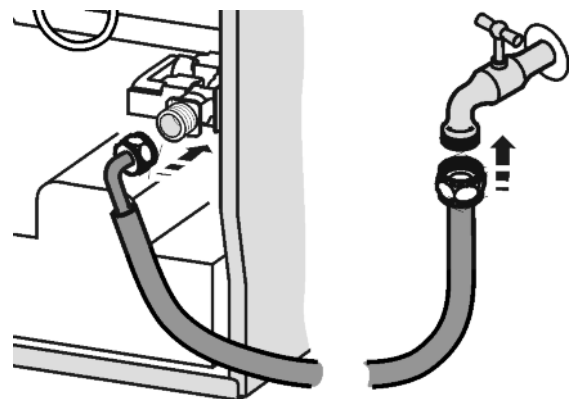
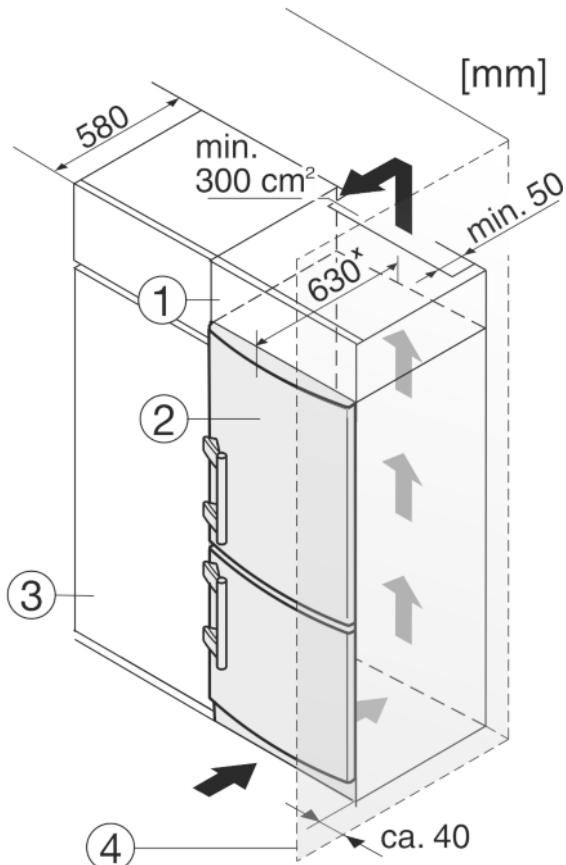


Fig. 11

- ▶ Connect the straight part of the accompanying stainless steel hose to the stopcock.
- The solenoid valve is at the bottom back of the appliance. It has a metric R3/4 connecting thread.
- ▶ Connect the angled part of the stainless steel hose to the solenoid valve.
 - ▶ Open the stopcock of the water supply and check that the entire water system is leakproof. Before initial use:
 - ▶ Have the water pipe bled of air by the proper expert.



4.5 Insertion into a row of kitchen units



- (1) Stack cabinet (3) Kitchen cabinet
(2) Appliance (4) Wall

Fig. 12

* For appliances supplied with wall spacers, the measurement increases by 35 mm (see 4.2).

The appliance can be inserted into a row of kitchen units. To match the appliance Fig. 12 (2) to the height of the row of units, a suitable stack cabinet Fig. 12 (1) can be fitted above the appliance.

When installing with kitchen units (max. depth 580 mm), the appliance can be positioned directly next to the kitchen cabinet Fig. 12 (3). The appliance will project by 34 mm* at the sides and 50 mm* in the centre of the appliance in relation to the kitchen cabinet front.

Ventilation requirements:

- At the back of the stack cabinet there has to be a ventilation duct of at least 50 mm depth throughout the width of the stack cabinet.
- The ventilation space under the ceiling has to be at least 300 cm².
- the larger the ventilation space, the more energy-saving the appliance is in operation.

If the appliance is installed with the hinges next to a wall Fig. 12 (4), the distance between appliance and wall has to be at least 40 mm. This corresponds to the projection of the handle when the door is open.

4.6 Disposing of packaging



WARNING

Danger of suffocation due to packing material and plastic film!

- ▶ Do not allow children to play with packing material.

The packaging is made of recyclable materials:

- corrugated board/cardboard
- expanded polystyrene parts
- polythene bags and sheets
- polypropylene straps
- nailed wooden frame with polyethylene panel*



- ▶ Take the packaging material to an official collecting point.

GB

4.7 Connecting the appliance

NOTICE

Risk of damage to the electronic control system!

- ▶ Do not use stand-alone inverters (conversion of d.c. to a.c./three-phase) or energy saving plugs.



WARNING

Fire and overheating hazard!

- ▶ Do not use extension cables or multiple socket outlets.

The type of current (alternating current) and voltage at the installation site have to conform with the data on the type plate (see Appliance at a glance).

The socket must be properly earthed and fused. The tripping current for the fuse must be between 10 A and 16 A.

The socket must be easily accessible so that the appliance can be quickly disconnected from the supply in an emergency. It must be outside the area of the rear of the appliance.

- ▶ Check the electrical connection.
- ▶ Plug in the power plug.



4.8 Switching on the appliance

Note

- ▶ To switch on the entire appliance it is necessary only to switch on the freezer compartment.

Switch on the appliance approx. 2 hours before adding frozen food for the first time.

Do not load food to be frozen before the temperature display reads -18 °C.



4.8.1 Switching on the freezer compartment

- ▶ Press On/Off button, freezer compartment Fig. 3 (10).
- ▷ The temperature display of the BioFresh compartment indicates the current temperature inside.
- ▷ The temperature display of the freezer compartment and the alarm symbol flash until the temperature is sufficiently low. If the temperature is above 0 °C, dashes flash. If it is below, the current temperature flashes.
- ▷ If "DEMO" is displayed, demo mode is activated. Please contact the after sales service.

4.8.2 Switching on the BioFresh compartment

- ▶ Press the On/Off button, BioFresh compartment Fig. 3 (2).
- ▷ The temperature display shines.
- ▷ The interior light is on when the door is open.

5 Control

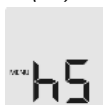
5.1 Brightness of the temperature display

You can adjust the brightness of the temperature display to the light conditions of the room in which the appliance is installed.

5.1.1 Adjusting the brightness

The brightness is adjustable between **h0** (no illumination) and **h5** (maximum luminosity).

- ▶ To activate the setting mode: press the SuperFrost button *Fig. 3 (11)* for about 5 s.
- ▷ The display indicates **c**.
- ▷ The menu symbol *Fig. 3 (15)* shines.
- ▶ Using the Up setting button, freezer compartment *Fig. 3 (8)* or Down setting button, freezer compartment *Fig. 3 (9)*, select **h**.
- ▶ To confirm: briefly press the SuperFrost button *Fig. 3 (11)*.
- ▶ To make the display brighter: press Up button, freezer compartment *Fig. 3 (8)*.
- ▶ To make the display darker: press Down button, freezer compartment *Fig. 3 (9)*.
- ▶ To confirm: press SuperFrost button *Fig. 3 (11)*.
- ▷ The brightness is adjusted to the new value.
- ▶ To deactivate the set-up mode: press On/Off button, freezer compartment *Fig. 3 (10)*.



-or-

- ▶ Wait for 5 minutes.
- ▷ The temperature is indicated again in the temperature display.

5.2 Child proofing

The child-proofing function enables you to make sure that the appliance is not inadvertently switched off by playing children.



5.2.1 Setting the child lock function

- ▶ To activate the setting mode: press SuperFrost button *Fig. 3 (11)* for about 5 s.
- ▷ **c** flashes on the display.
- ▷ The menu symbol *Fig. 3 (15)* shines.
- ▶ Briefly press the SuperFrost button *Fig. 3 (11)* to confirm. When **cl** is indicated in the display:
- ▶ To activate the child lock, briefly press the SuperFrost button *Fig. 3 (11)*.
- ▷ The LED of the child lock symbol *Fig. 3 (14)* shines. **c** flashes in the display.
- When **cl** is indicated in the display:
- ▶ to deactivate the child lock, briefly press the SuperFrost button *Fig. 3 (11)*.
- ▷ The LED of the child lock symbol *Fig. 3 (14)* goes out. **c** flashes in the display.
- ▶ To deactivate the set-up mode: press On/Off button, freezer compartment *Fig. 3 (10)*.



-or-

- ▶ Wait for 5 minutes.
- ▷ The temperature is indicated again in the temperature display.

5.3 Door alarm

For refrigerator / BioFresh compartment and freezer compartment

If the door is open for longer than 60 seconds, the audible warning will sound.

The audible alarm is automatically silenced when the door is closed.



5.3.1 Muting the door alarm

The audible alarm can be muted when the door is open. The sound switch-off function is active as long as the door is left open.

- ▶ Press alarm button *Fig. 3 (12)*.
- ▷ The door alarm is silenced.

5.4 Temperature alarm

The audible alarm sounds if the freezer temperature is not cold enough.

At the same time, the temperature display and LED of the alarm symbol *Fig. 3 (18)* flashes.



The cause of the temperature being too high may be:

- warm fresh food was placed inside
- too much warm ambient air flowed in when rearranging and removing food
- power failure for some time
- the appliance is faulty

The audible alarm is automatically silenced, the alarm symbol *Fig. 3 (18)* goes out and the temperature display stops flashing when the temperature is sufficiently cold again.

If the alarm status persists: (see Malfunction).

Note

Food may be spoiled if the temperature is not cold enough.

- ▶ Check the quality of the food. Do not consume spoiled food.

5.4.1 Muting the temperature alarm

The audible alarm can be muted. When the temperature is sufficiently cold again, the alarm function is active again.

- ▶ Press alarm button *Fig. 3 (12)*.
- ▷ The audible alarm is silenced.

5.5 BioFresh compartment

The BioFresh compartment allows some types of fresh food to be stored up to three times longer than in conventional refrigerators, without compromising quality.

For food with an indicated best before date, the date specified on the packaging always applies.

5.5.1 HydroSafe

The HydroSafe at the moist setting is suited for storing unwrapped salad, vegetables and fruit with high inherent moisture. When the drawer is well filled, a dewy climate with up to 90% humidity is established. The humidity in the compartment depends on the moisture content of the food stored and on the opening frequency. You can set the humidity yourself.

5.5.2 Storing food

Note

- ▶ Vegetables sensitive to cold, such as cucumbers, aubergines, semi-ripe tomatoes, zucchinis and all tropical fruits sensitive to cold, do not belong in the BioFresh compartment.

- ▶ To prevent food spoilage due to transfer of germs: Store unwrapped animal and vegetable products separate from one another in the drawers. This also applies to different sorts of meat.

If food has to be stored together due to lack of space:

- ▶ wrap the food.

5.5.3 Storage times

| Standard values for storage time at low humidity | | | |
|--|-------|-----|------|
| Butter | up to | 90 | days |
| Hard cheese | up to | 110 | days |
| Milk | up to | 12 | days |
| Sausage, cold meat | up to | 9 | days |
| Poultry | up to | 6 | days |
| Pork | up to | 7 | days |
| Beef | up to | 7 | days |
| Game | up to | 7 | days |

Note

- ▶ Please note that protein-rich food deteriorates faster, i.e. shellfish and crustaceans deteriorate faster than fish, fish faster than meat.

| Standard values for storage time at high humidity | | | |
|---|-------|-----|------|
| Vegetables, salad | | | |
| Artichokes | up to | 14 | days |
| Celery | up to | 28 | days |
| Cauliflower | up to | 21 | days |
| Broccoli | up to | 13 | days |
| Chicory | up to | 27 | days |
| Lamb's lettuce | up to | 19 | days |
| Peas | up to | 14 | days |
| Kale | up to | 14 | days |
| Carrots | up to | 80 | days |
| Garlic | up to | 160 | days |
| Kohlrabi | up to | 55 | days |
| Lettuce | up to | 13 | days |
| Herbs | up to | 13 | days |
| Leek | up to | 29 | days |
| Mushrooms | up to | 7 | days |
| Radishes | up to | 10 | days |
| Brussels sprouts | up to | 20 | days |
| Asparagus | up to | 18 | days |
| Spinach | up to | 13 | days |
| Savoy cabbage | up to | 20 | days |
| Fruit | | | |
| Apricots | up to | 13 | days |
| Apples | up to | 80 | days |
| Pears | up to | 55 | days |
| Blackberries | up to | 3 | days |
| Dates | up to | 180 | days |

| Standard values for storage time at high humidity | | | |
|---|-------|----|------|
| Strawberries | up to | 7 | days |
| Figs | up to | 7 | days |
| Blueberries | up to | 9 | days |
| Raspberries | up to | 3 | days |
| Currants | up to | 7 | days |
| Sweet cherries | up to | 14 | days |
| Kiwis | up to | 80 | days |
| Peaches | up to | 13 | days |
| Plums | up to | 20 | days |
| Cranberries | up to | 60 | days |
| Rhubarb | up to | 13 | days |
| Gooseberries | up to | 13 | days |
| Grapes | up to | 29 | days |

5.5.4 Setting the temperature

The temperature in the BioFresh compartment is automatically regulated to just above 0 °C.

You can adjust the temperature slightly colder or warmer. The temperature can be adjusted from **b1** (coldest temperature) to **b9** (warmest temperature). The presetting is **b5**. At the **b1** to **b4** settings the temperature may drop below 0 °C and therefore the food may freeze slightly.

- ▶ For a warmer temperature adjustment: press Up setting button, BioFresh compartment *Fig. 3 (3)*.

- ▶ For a colder temperature adjustment: press Down setting button, BioFresh compartment *Fig. 3 (4)*.

- ▷ When pressed the first time, the BioFresh temperature display indicates the value so far.

- ▶ To change the temperature in steps: briefly press the button.

-or-

- ▶ To change the temperature continuously: hold down the button.

- ▷ During the adjustment, **b1** to **b9** are displayed.

- ▷ The actual temperature is displayed about 5 s after the last press of a button. The temperature slowly adjusts to the new value.

5.5.5 BioCool

With BioCool you switch to top cooling performance. Use BioCool to rapidly cool large quantities of food.

BioCool has a slightly higher energy consumption.

Switching on BioCool

- ▶ Briefly press the BioCool button *Fig. 3 (1)*.


- ▷ The LED of the BioCool symbol *Fig. 3 (5)* shines.


Switching off BioCool

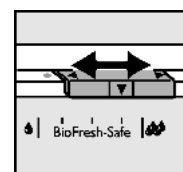
- ▶ Briefly press the BioCool button *Fig. 3 (1)*.

- ▷ The LED of the BioCool symbol *Fig. 3 (5)* goes out.

5.5.6 Setting the humidity in the HydroSafe

- ▶  Low humidity: move the regulator to the left.

- ▶  High humidity: move the regulator to the right.



Control

5.5.7 Drawers

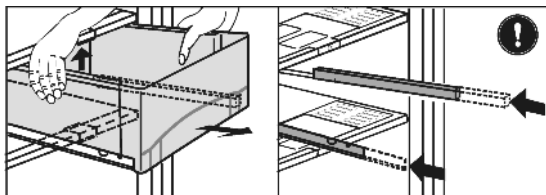


Fig. 13

- ▶ Pull out the drawer, lift it at the back and draw it forwards for removal.
- ▶ Push the rails in again!

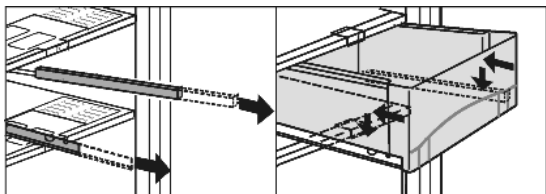


Fig. 14

- ▶ Pull out the rails.
- ▶ Attach the drawer to the rails and push it in until it engages audibly at the back.

5.5.8 Humidity control plate

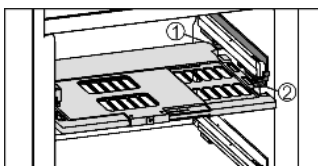


Fig. 15

- ▶ To remove the humidity control plate: Having removed the drawers, carefully draw the plate forwards and lower it for removal.
- ▶ To insert the humidity control plate: Insert the cover mouldings of the plate into the rear holder Fig. 15 (1) from underneath and engage them in the holder Fig. 15 (2) at the front.

5.6 Freezer compartment

You can store frozen food, make ice cubes and freeze fresh food in the freezer compartment.

5.6.1 Freezing food

The rating plate indicates the maximum quantity of fresh food you can freeze within 24 hours (see Appliance at a glance) under "Freezing capacity ... kg/24h".

The maximum load of frozen food for the drawers is 25 kg each and for the shelves 35 kg each.



CAUTION

Risk of injury due to broken glass!
Bottles and cans containing drinks may burst when being frozen. This applies particularly to sparkling drinks.

- ▶ Do not freeze bottles and cans containing drinks!

In order that the food is rapidly frozen through to the core, do not exceed the following quantities per pack:

- Fruit, vegetables up to 1 kg
- Meat up to 2.5 kg
- ▶ Pack the food in portions in freezer bags, reusable plastic, metal or aluminium containers.

5.6.2 Thawing food

- in the refrigerator compartment
- in a microwave oven
- in a conventional or fan oven
- at room temperature

- ▶ Food once thawed should be re-frozen only in exceptional cases.

5.6.3 Setting the temperature in the freezer compartment

The appliance is pre-set for normal operation.

The temperature can be set between -16 °C and -26 °C, the recommended temperature is -18 °C.

- ▶ To set the temperature higher: press Up button, freezer compartment Fig. 3 (8).
- ▶ To set the temperature lower: press Down button, freezer compartment Fig. 3 (9).
- ▷ When the button is pressed the first time, the previous value is indicated in the temperature display of the freezer compartment.
- ▶ To change the temperature in 1 °C steps: briefly press the button.

-or-

- ▶ To change the temperature continuously: hold down the button.
- ▷ The value is displayed flashing during the setting operation.
- ▷ The actual temperature is displayed approx. 5 seconds after the button is last pressed. The temperature gradually adjusts to the new value.

5.6.4 SuperFrost

With this function you can freeze fresh food quickly through to the core. The appliance operates with maximum refrigeration. The noise of the refrigeration unit may be temporarily louder as a result. **

The maximum amount of fresh food which can be frozen in 24 h is indicated on the type plate under "freezing capacity ... kg/24h". This amount varies according to the model and climate rating.

You have to activate SuperFrost in good time, depending on how much fresh food is to be frozen: about 6 hours before placing the food inside in case of small amounts and about 24 hours in advance in case of the maximum amount of food to be frozen.

Wrap produce and spread it out as far as possible. Do not allow produce to be frozen to touch produce that is already frozen to prevent the latter thawing.

You do not have to activate SuperFrost in the following cases:

- when placing frozen food in the freezer
- when freezing up to approx. 2 kg fresh food daily

Freezing with SuperFrost

- ▶ Briefly press the SuperFrost button Fig. 3 (11) once.
- ▷ The LED of the SuperFrost symbol Fig. 3 (19) shines.
- ▷ The freezing temperature drops, the appliance operates with the maximum cooling capacity.
For a smaller quantity of produce to be frozen:
 - ▶ wait approx. 6 h.
 - ▶ Place wrapped produce in the top drawers.For the maximum quantity of produce to be frozen:
 - ▶ wait approx. 24 h.
- ▷ SuperFrost is automatically deactivated. Depending on the quantity placed inside, after 30 h at the earliest, 65 h at the latest.
- ▷ The LED on the SuperFrost symbol Fig. 3 (19) extinguishes once freezing is completed.
- ▷ The appliance continues to operate in the energy-saving, normal mode.

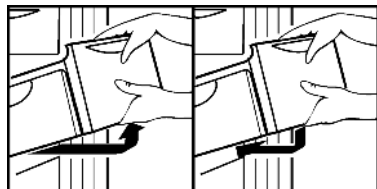
5.6.5 Drawers

Note

The energy consumption increases and the cooling performance decreases if there is insufficient ventilation.

For appliances with NoFrost:

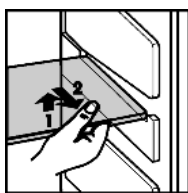
- ▶ Leave the bottom drawer in the appliance!
- ▶ Always keep the air slits of the fan free at the rear wall!



- ▶ To store frozen food directly on the shelves: pull the drawer forwards and lift it out.

5.6.6 Shelves

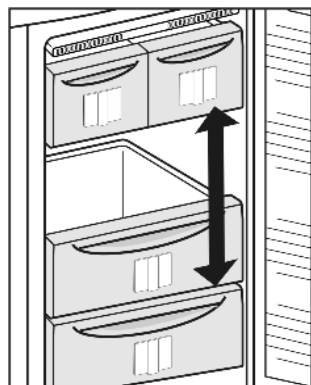
- ▶ To remove the shelf: lift up at the front and pull out.
- ▶ To put the shelf back: simply push in as far as it will go.



5.6.7 VarioSpace

Apart from being able to remove the drawers, you can also remove the shelves, creating space for large items of frozen food. Poultry, meat, large pieces of game and high bakery products can be frozen in one piece and prepared.

- ▶ The maximum load of frozen food for the drawers is 25 kg each and for the shelves 35 kg each.



5.6.8 Information system



Fig. 16

- | | |
|---------------------------------|------------------------|
| (1) Ready-made meals, ice cream | (4) Sausages, bread |
| (2) Pork, fish | (5) Game, mushrooms |
| (3) Fruit, vegetables | (6) Poultry, beef/veal |

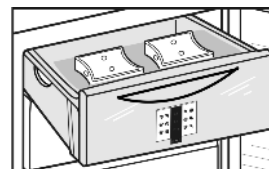
The figures indicate the storage time in months for several types of frozen food in each case. Storage times given are guide times.

5.6.9 Cold storage accumulators

The cold storage accumulators prevent the temperature from rising too fast in the event of power failure.

Using cold storage accumulators

- ▶ Place the cold storage accumulators in the top freezer compartment to save space.
- ▶ Place the frozen cold storage accumulators on the frozen food in the upper front area of the freezer compartment.



GB

5.6.10 IceMaker

The IceMaker is in the top drawer of the freezer compartment. The drawer is marked "IceMaker".

Make certain that the following conditions are met:

- The appliance is level.
- The appliance is connected.
- The freezer compartment is switched on.
- The IceMaker is connected to the water supply.

Switching on the IceMaker

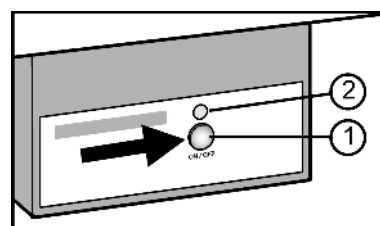


Fig. 17

- ▶ Pull out the drawer.
- ▶ Press the On/Off button Fig. 17 (1) so that the LED Fig. 17 (2) shines.
- ▶ Push in the drawer.
- ▷ The LED of the IceMaker symbol Fig. 3 (7) shines.

Note

- ▶ The IceMaker produces ice cubes only if the drawer is fully closed.

Producing ice cubes

The production capacity depends on the freezer temperature. The lower the temperature, the more ice cubes can be produced in a specific period.

The ice cubes drop from the IceMaker into the drawer. When a certain filling level has been reached, no further ice cubes are produced. The IceMaker does not fill the drawer right up to the brim.

If large quantities of ice cubes are needed, the complete IceMaker drawer can be exchanged for the adjacent drawer. When the drawer is closed, the IceMaker automatically recommences production.

Once the IceMaker has been switched on for the first time, it may take up to 24 hours until the first ice cubes are produced.

Note

When the appliance is used for the first time and if it has been out of use for a long time, particles may collect in the IceMaker and/or water conduit.

- ▶ Therefore do not use or consume the ice cubes made in the first 24 hours.

Setting the water intake time

The opening time of the IceMaker valve can be set if, for example, the water pressure in the pipe is too low or too high.

The water intake time can be set in stages from **E1** (short intake time) to **E8** (long intake time). The intake is preset at **E3**.

- ▶ To activate the setting mode: press the SuperFrost button Fig. 3 (11) for about 5 s.
- ▷ The display indicates **c**.
- ▷ The menu symbol Fig. 3 (15) shines.

Maintenance

- ▶ Using the Up setting button, freezer compartment *Fig. 3 (8)* and Down setting button, freezer compartment *Fig. 3 (9)* select **E**.
- ▶ To confirm: briefly press the SuperFrost button *Fig. 3 (11)*.
- ▶ To increase the water intake time: press the Up setting button, freezer compartment *Fig. 3 (8)*.
- ▶ To reduce the water intake time: press the Down setting button, freezer compartment *Fig. 3 (9)*.
- ▶ To confirm: press the SuperFrost button *Fig. 3 (11)*.
- ▶ To deactivate the setting mode: press the On/Off button, freezer compartment *Fig. 3 (10)*.

-or-

- ▶ Wait for 5 minutes.

Switching off the IceMaker

If no ice cubes are needed, the IceMaker can be switched off independently of the freezer compartment.

When the IceMaker is switched off, the IceMaker drawer can also be used for freezing and storing food.

- ▶ Press the On/Off button for about 1 second until the LED goes out.
- ▷ The LED of the IceMaker symbol *Fig. 3 (7)* goes out.
- ▶ Clean the IceMaker.
- ▷ This ensures that no water or ice remains in the IceMaker.

6 Maintenance

6.1 Defrosting with NoFrost

The NoFrost system automatically defrosts the appliance.

BioFresh compartment:

The defrost water evaporates due to the compressor heat.

- ▶ Regularly clean the drain opening to allow the water to flow away (see 6.2) .

Freezer compartment:

The moisture condenses on the evaporator, is periodically defrosted and evaporates.

- ▶ The appliance does not have to be manually defrosted.

6.2 Cleaning the appliance



WARNING

Risk of injury and damage as a result of hot steam!
Hot steam can lead to burns and can damage the surfaces.

- ▶ Do not use any steam cleaners!

NOTICE

Incorrect cleaning damages the appliance!

- ▶ Do not use cleaning agents in concentrated form.
- ▶ Do not use any scouring or abrasive sponges or steel wool.
- ▶ Please do not use any aggressive, scouring, sand-, chloride-, chemical- or acid-based cleaning agents.
- ▶ Do not use chemical solvents.
- ▶ Do not damage or remove the type plate on the inside of the appliance. It is important for the customer service.
- ▶ Do not pull off, bend or damage cables or other components.
- ▶ Do not allow any cleaning water to enter the drain channel, ventilation grille or electrical parts.
- ▶ Please use soft cleaning cloths and a universal pH-neutral cleaning agent.
- ▶ Please use cleaning and care products suitable for contact with foodstuffs in the appliance interior.

- ▶ **Empty appliance.**
- ▶ **Pull out the power plug.**



- ▶ Clean **plastic outer and inner surfaces** with lukewarm water and a little washing-up liquid.

Do not apply stainless steel cleaning agent to glass or plastic surfaces to prevent them from being scratched. Darker areas at the beginning and quite an intensive colour of the stainless steel surface are normal.

NOTICE

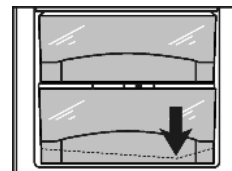
The stainless steel doors are provided with a high-quality surface coating and must not be treated using the accompanying care product.



Otherwise the surface coating will be affected.

- ▶ Wipe the coated **door surfaces** using a soft, clean cloth only. In case of stubborn dirt, use a little water or a neutral cleaning agent. A microfibre cloth can be optionally used.
- ▶ If the **stainless steel side walls** are dirty, clean them using a commercially available stainless steel cleaning agent. Then evenly apply the accompanying stainless steel care product, making strokes in the direction of the grain.
- ▶ Wipe **side walls with a paint finish** using a soft, clean cloth only. In case of stubborn dirt, use a little water or a neutral cleaning agent. A microfibre cloth can be optionally used.

- ▶ Clean **drain hole**: Remove deposits with a narrow instrument, e.g. a cotton bud.



- ▶ Clean **items of equipment** by hand with lukewarm water and a little washing-up liquid.
- ▶ Only use a damp cloth to clean the **telescopic rails**. The grease in the runners is for lubrication purposes and must not be removed.

After cleaning:

- ▶ Wipe dry the appliance and items of equipment.
- ▶ Connect the appliance and switch it on again.
- ▶ Switch on SuperFrost (see 5.6.4) .
When the temperature is sufficiently cold:
- ▶ Put the food back inside.

6.3 Cleaning the IceMaker

The drawer of the IceMaker has to be emptied and slid in.

- ▶ To activate the setting mode: press the SuperFrost button *Fig. 3 (11)* for about 5 s.
- ▷ The display indicates **e**.
- ▷ The menu symbol *Fig. 3 (15)* shines.
- ▶ Using the Up setting button, freezer compartment *Fig. 3 (8)* Down setting button, freezer compartment *Fig. 3 (9)* select **I**.
- ▶ To confirm: press the SuperFrost button *Fig. 3 (11)*.
- ▶ Using the Up setting button, freezer compartment *Fig. 3 (8)* Down setting button, freezer compartment *Fig. 3 (9)* select **Ic**.
- ▶ To confirm: press the SuperFrost button *Fig. 3 (11)*.
- ▷ The IceMaker moves into the cleaning position and switches off.
- ▶ To deactivate the setting mode: press the On/Off button, freezer compartment *Fig. 3 (10)*.



-or-

- ▶ Wait for 2 minutes.
- ▷ The temperature is indicated again in the temperature display.
- ▶ Remove the drawer.
- ▶ Clean the ice cube tray and drawer with warm water. If necessary, use mild washing-up liquid. Then rinse.

- ▶ Slide in the drawer again.
If washing-up liquid was used:
- ▶ throw away the first three loads of ice cubes to get rid of any remaining washing-up liquid.

Either leave the IceMaker switched off in this position or switch the IceMaker on again (see 5.6.10).

6.4 Customer service

First check whether you can correct the fault yourself by reference to the list (see Malfuction). If this is not the case, please contact the customer service whose address is given in the enclosed customer service list.



WARNING

Risk of injury if repair work is not carried out professionally!

- ▶ Have any repairs and action - not expressly specified - on the appliance and mains cable carried out by service personnel only. (see Maintenance)

- ▶ Read the appliance designation
Fig. 18 (1), service No. Fig. 18 (2) and serial No. Fig. 18 (3) off the type plate located inside the appliance on the left-hand side.

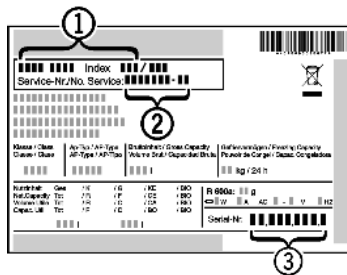


Fig. 18

- ▶ Notify the customer service, specifying the fault, appliance designation Fig. 18 (1), service No. Fig. 18 (2) and serial No. Fig. 18 (3).
- ▷ This will help us to provide you with a faster and more accurate service.
- ▶ Keep the appliance closed until the customer service arrives.
- ▷ The food will stay cool longer.
- ▶ Pull out the mains plug (not by pulling the connecting cable) or switch off the fuse.

7 Malfuction

Your appliance is designed and manufactured for a long life span and reliable operation. If a malfuction nonetheless occurs during operation, check whether it is due to a handling error. In this case you will have to be charged for the costs incurred, even during the warranty period. You may be able to rectify the following faults yourself:

Appliance does not work.

- The appliance is not switched on.
- ▶ Switch on the appliance.
- The power plug is not properly inserted in the wall socket.
- ▶ Check power plug.
- The fuse of the wall socket is not in order.
- ▶ Check fuse.

The compressor runs for a long time.

- The compressor switches to a low speed when little cold is needed. Although the running time is increased as a result, energy is saved.
- ▶ This is normal in energy-saving models.
- SuperFrost is activated.
- ▶ The compressor runs for longer in order to rapidly cool the food. This is normal.
- BioCool is activated.
- ▶ The compressor runs for longer in order to rapidly cool the food. This is normal.

A LED on the bottom rear of the appliance (at the compressor) flashes regularly every 15 seconds*.

- The inverter is equipped with a diagnostic LED.
- ▶ The flashing is normal.

Excessive noise.

- Due to the various speed steps, speed-regulated* compressors can generate different running noises.
- ▶ The sound is normal.

A bubbling and gurgling noise.

- This noise comes from the refrigerant flowing in the refrigeration circuit.
- ▶ The sound is normal.

A quiet clicking noise.

- The noise is produced whenever the refrigeration unit (motor) automatically switches on or off.
- ▶ The sound is normal.

A hum. It is briefly a little louder when the refrigeration unit (the motor) switches on.

- The refrigeration increases automatically when the SuperFrost, function is activated, fresh food has just been placed in the appliance or the door has been left open for a while.
- ▶ The sound is normal.
- The refrigeration increases automatically when the BioCool function is activated, fresh food has just been placed in the appliance or the door has been left open for a while.
- ▶ The sound is normal.
- The ambient temperature is too high.
- ▶ Solution: (see 1.2)

Vibratory noise.

- The appliance is not fixed to the ground. The running of the cooling unit therefore makes objects and adjacent furniture vibrate.
- ▶ Adjust appliance via the height-adjustable feet.
- ▶ Move bottles and containers apart.

The temperature display indicates: F0 to F9

- There is a fault.
- ▶ Please contact the after-sales service (see Maintenance).

The temperature display reads:FE

- There is a fault.
- ▶ Please contact the after-sales service (see Maintenance).

Power failure flashes in the temperature display . The highest temperature reached during power failure is indicated in the temperature display.

- The freezer temperature rose too high over the last hours or days due to a power failure or power interruption. When the power interruption is over, the appliance will continue to operate in the last temperature setting.
- ▶ To cancel the display of the warmest temperature: press alarm button Fig. 3 (12).
- ▶ Check the quality of the food. Do not consume spoiled food. Do not re-freeze thawed food.

DEMO shines in the temperature display.

- The demo mode is activated.
- ▶ Please contact the after-sales service (see Maintenance).

The outer surfaces of the appliance are warm*.

- The heat of the refrigeration circuit is used to prevent condensate from forming.
- ▶ This is normal.

The IceMaker cannot be switched on.

- The appliance and therefore the IceMaker are not connected.
- ▶ Connect the appliance to the mains (see Putting into operation).

Decommissioning

The IceMaker does not make any ice cubes.

- The IceMaker is not switched on.
- ▶ Switch on the IceMaker.
- The drawer of the IceMaker is not properly closed.
- ▶ Close the drawer properly.
- The water connection is not open.
- ▶ Open the water connection.
- The water intake to the IceMaker has been interrupted.
- ▶ Check the water connection (see **Putting into operation**).
- ▶ Check the hosing (see **Putting into operation**).
- The screen located in the end piece of the water intake hose or the screen located in the connecting piece on the appliance is blocked.
- ▶ Clean the screens.

The temperature is not cold enough.

- The door of the appliance is not properly closed.
- ▶ Close the door of the appliance.
- Insufficient ventilation.
- ▶ Clear ventilation grilles.
- The ambient temperature is too high.
- ▶ Solution: (see 1.2) .
- The appliance was opened too frequently or for too long.
- ▶ Wait to see whether the appliance reaches the required temperature by itself. If not, please contact the after sales service (see Maintenance).
- Too much fresh food was placed inside without SuperFrost.
- ▶ Solution: (see 5.6.4)
- The temperature is incorrectly set.
- ▶ Set the temperature to a colder setting and check after 24 hours.
- The appliance is too close to a source of heat (stove, heater etc).
- ▶ Change the position of the appliance or the source of heat.

The interior light is not on.

- The appliance is not switched on.
- ▶ Switch on the appliance.
- The door was open longer than 15 min.
- ▶ The interior light automatically switches off if the door has been open for about 15 min.
- The LED illumination is defective or the cover is damaged:



WARNING

Risk of injury due to electric shock!

Live parts are located under the cover.

- ▶ Have the LED interior light changed or repaired only by the customer service or by specialized personnel trained for the purpose.



WARNING

Danger of injury by LED lamp!

The light intensity of the LED illumination corresponds to laser class 1/1M.

If the cover is defective:

- ▶ Do not look into the illumination with optical lenses from the immediate proximity. This can cause injury to the eyes.

8 Decommissioning

8.1 Switching off the appliance

Note

- ▶ To switch off the entire appliance it is necessary only to switch off the freezer compartment.

8.1.1 Switching off the freezer compartment

- ▶ Press the freezer compartment On/Off button *Fig. 3 (10)* for approx. 2 seconds.
- ▷ The temperature displays are dark. The appliance is switched off.



8.1.2 Switching off the BioFresh compartment

- ▶ Press BioFresh compartment On/Off button *Fig. 3 (2)* for approx. 2 seconds.
- ▷ The temperature display of the BioFresh compartment *Fig. 3 (6)* is dark. The BioFresh compartment is switched off.

8.2 Taking the appliance out of service

- ▶ Empty the appliance.
- ▶ Put the IceMaker in the cleaning position (see Maintenance).
- ▶ Pull out the power plug.
- ▶ Clean the appliance (see 6.2) .



- ▶ Leave the door open to prevent odour.

9 Disposing of the appliance

The appliance contains some reusable materials and should be disposed of properly - not simply with unsorted household refuse. Appliances which are no longer needed must be disposed of in a professional and appropriate way, in accordance with the current local regulations and laws.



When disposing of the appliance, ensure that the refrigeration circuit is not damaged to prevent uncontrolled escape of the refrigerant it contains (data on type plate) and oil.

- ▶ Disable the appliance.
- ▶ Pull out the plug.
- ▶ Cut through the connecting cable.

