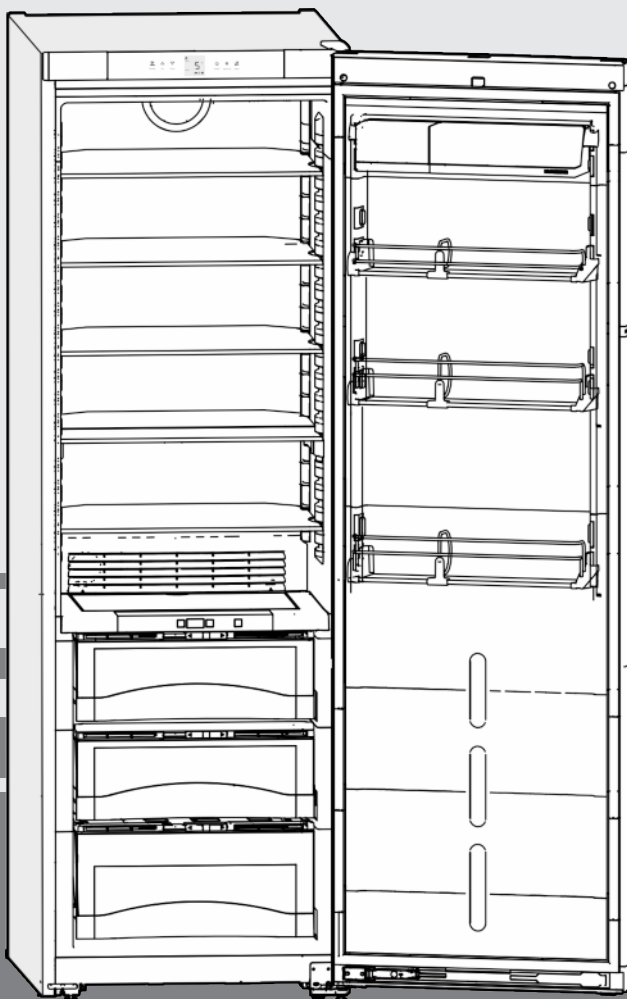


# Operating and installation instructions

Upright refrigerator with BioFresh compartment

GB



210514 **7085340 - 01**

**SKBes4213 ... 6**

**LIEBHERR**

# Appliance at a glance

## Contents

<b>1</b>	<b>Appliance at a glance</b> .....	<b>2</b>
1.1	Description of appliance and equipment.....	2
1.2	Range of appliance use.....	2
1.3	Conformity.....	3
1.4	External dimensions of the appliance.....	3
1.5	Saving energy.....	3
1.6	HomeDialog.....	4
<b>2</b>	<b>General safety information</b> .....	<b>4</b>
<b>3</b>	<b>Controls and displays</b> .....	<b>5</b>
3.1	Operating and control elements.....	5
3.2	Temperature display.....	5
<b>4</b>	<b>Putting into operation</b> .....	<b>5</b>
4.1	Transporting the appliance.....	5
4.2	Installing the appliance.....	5
4.3	Changing over the door hinges.....	6
4.4	Insertion into a row of kitchen units.....	8
4.5	Disposing of packaging.....	8
4.6	Connecting the appliance.....	8
4.7	Switching on the appliance.....	8
<b>5</b>	<b>Control</b> .....	<b>8</b>
5.1	Brightness of the temperature display.....	8
5.2	Child proofing.....	9
5.3	Door alarm.....	9
5.4	Refrigerator compartment.....	9
5.5	BioFresh compartment.....	11
<b>6</b>	<b>Maintenance</b> .....	<b>13</b>
6.1	Cleaning the appliance.....	13
6.2	Customer service.....	13
<b>7</b>	<b>Malfunction</b> .....	<b>13</b>
<b>8</b>	<b>Decommissioning</b> .....	<b>14</b>
8.1	Switching off the appliance.....	14
8.2	Taking the appliance out of service.....	14
<b>9</b>	<b>Disposing of the appliance</b> .....	<b>14</b>

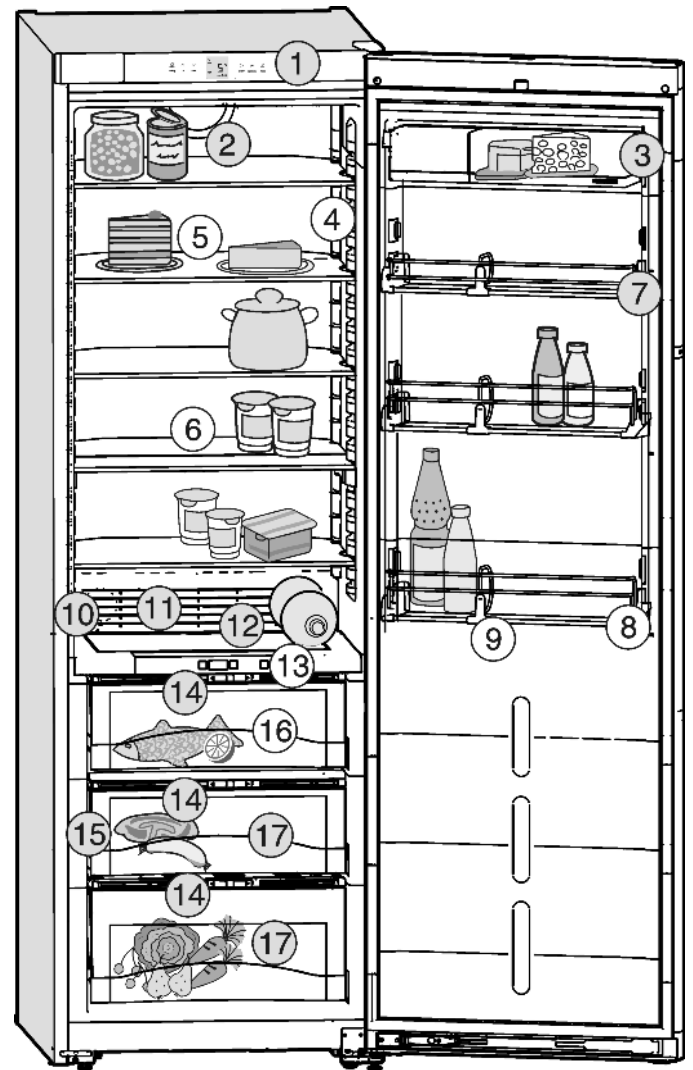


Fig. 1

- |  |   |
|--|---|
| (1) Operating panel                    | (10) Type plate                               |
| (2) Fan                                | (11) Louvre                                   |
| (3) Boxes, removable                   | (12) Integrated bottle shelf with glass plate |
| (4) Lighting, refrigerator compartment | (13) Control panel BioFresh Plus compartment  |
| (5) Glass shelf, relocatable           | (14) Humidity regulator                       |
| (6) Sectioned glass shelf, relocatable | (15) Lighting, BioFresh compartment           |
| (7) Rack for tinned food, relocatable  | (16) BioFresh Plus compartment                |
| (8) Bottle rack, relocatable           | (17) BioFresh compartment, HydroSafe          |
| (9) Bottle holder, slidable            |   |

The manufacturer works constantly on the further development of all the types and models. Therefore please understand that we have to reserve the right to make design, equipment and technical modifications.

To get to know all the benefits of your new appliance, please read the information contained in these instructions carefully.

The instructions apply to several models. Differences may occur. Text relating only to specific appliances is marked with an asterisk (\*).

**Instructions for action are marked with a ►, the results of action are marked with a ▷.**

## 1 Appliance at a glance

### 1.1 Description of appliance and equipment

#### Note

- Place food inside the appliance as shown in the diagram. This allows the appliance to save energy during operation.
- Shelves, drawers and baskets are arranged for optimum energy efficiency on delivery.

### 1.2 Range of appliance use

#### Intended use

The appliance is suitable solely for cooling food in a domestic environment or similar. This includes use in, for example

- in staff kitchenettes, bed and breakfast establishments,
- by guests in country cottages, hotels, motels and other accommodation,
- for catering and similar services in the wholesale trade.

Use the appliance solely in a domestic type of environment. All other applications are inadmissible.

## Foreseeable misuse

The following applications are expressly prohibited:

- Storage and cooling of medicines, blood plasma, laboratory compounds or similar materials and products subject to the Medical Devices Directive 2007/47/EC
- Use in potentially explosive areas

Improper use of the appliance can lead to damage to or spoilage of the stored goods.

## Climate rating definitions

The appliance is set to operate within specific ambient temperature limits according to its climate rating. The correct climate rating for your appliance is indicated on the type plate.

### Note

- Compliance with the ambient temperatures indicated is required, otherwise the cooling performance is reduced.

Climate rating	for ambient temperatures of
SN	10 °C to 32 °C
N	16 °C to 32 °C
ST	16 °C to 38 °C
T	16 °C to 43 °C

## 1.3 Conformity

The refrigerant circuit is tested for leakage. The appliance complies with the relevant safety regulations and EC Directives 2006/95/EC, 2004/108/EC, 2009/125/EC and 2010/30/EU.

The BioFresh compartment satisfies the requirements of a chill compartment to EN ISO 15502.

### Note for test institutions:

Tests are to be carried out according to the applicable standards and guidelines.

Preparation and testing of the appliances must be carried out taking the **manufacturer's loading plans** and the **notes in the operating manual** into account.

## 1.4 External dimensions of the appliance

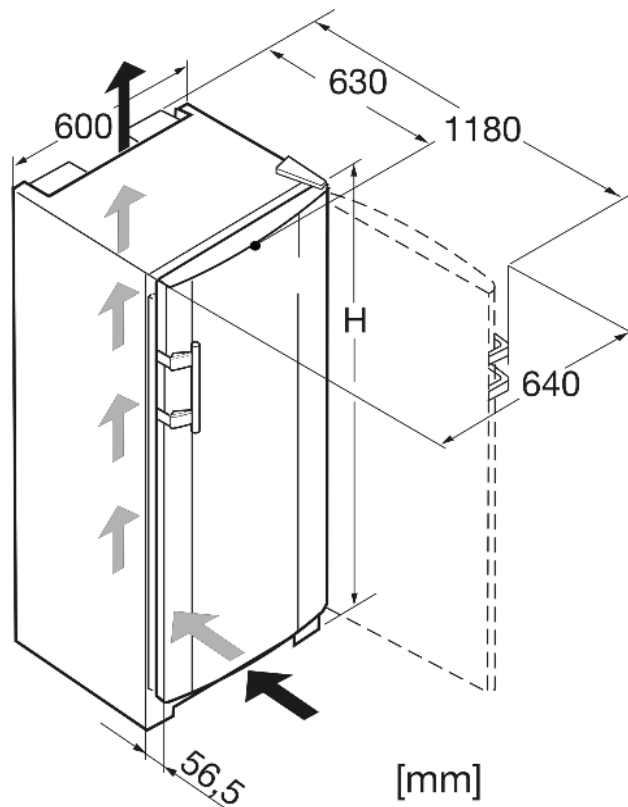


Fig. 2

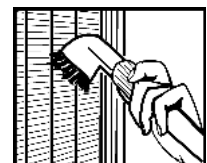
Designation	H (mm)
SKBes 4213	1852

## 1.5 Saving energy

- Always ensure good ventilation. Do not cover ventilation openings or grille.
- Always keep fan louvres clear.
- Do not place appliance in areas of direct sunlight or next to a stove, heater or similar object.
- The energy consumption depends on the installation conditions, e.g. the ambient temperature (see 1.2) .
- Keep the time the appliance is open to a minimum.
- The lower the temperature setting, the higher the power consumption.
- Store food logically. (see Appliance at a glance).
- Ensure that all food is well packed and covered for storage. This will prevent frost from forming.
- Remove food as needed in order that it does not warm too much.
- First cool warm food to room temperature before storing it .
- Use the vacation function for longer vacation periods (see 5.4.4) .

Accumulated dust increases the energy consumption:

- Once a year, dust the refrigerating unit together with the metal grille of the heat exchanger at the back of the appliance.



# General safety information

## 1.6 HomeDialog

Depending on model and options, the HomeDialog system can be used to network a number of Liebherr appliances (situated, for example, in the basement) with a main appliance (sited, for example, in the kitchen) and control them via the latter. You will find more information on the benefits, requirements and principle of operation on the internet at [www.liebherr.com](http://www.liebherr.com).



## 2 General safety information

### Danger for the user:

- This appliance can be used by children of 8 years old and over, and also by persons with restricted physical, sensory or mental capacity or lack of experience and knowledge, if they are supervised or have been instructed on safe use of the appliance and understand the resulting risks. Children must not be allowed to play with the appliance. Cleaning and user maintenance must not be carried out by children without supervision.
- When disconnecting the appliance from the supply, always take hold of the plug. Do not pull the cable.
- In the event of a fault pull out the mains plug or deactivate the fuse.
- Do not damage the mains power cable. Do not operate the appliance with a defective mains power cable.
- Have any repairs to or intervention in the appliance, and any change of the mains power cable, carried out by the customer service only or by other specialised personnel trained for the purpose.
- Only assemble, connect and dispose of the appliance according to the instructions.
- Please keep these instructions in a safe place and pass them on to any subsequent owners.
- Special-purpose lamps (incandescent lamps, LEDs, fluorescent tubes) in the appliance serve to illuminate the appliance interior and are not suited for room illumination.

### Fire hazard:

- The refrigerant R 600a is environmentally friendly but flammable. Escaping refrigerant may ignite.
  - Do not damage the refrigerant circuit pipes.
  - Do not allow naked flames or ignition sources to enter the appliance.
  - Do not use any electrical appliances in the interior (e.g. steam cleaners, heaters, ice cream maker etc.).
  - If refrigerant escapes: remove any naked flames or sources of ignition from the

leakage area. Ventilate the room well. Notify the after-sales service.

- Do not store explosives or sprays using combustible propellants such as butane, propane, pentane, etc. in the appliance. To identify these spray cans, look for the list of contents printed on the can, or a flame symbol. Gases possibly escaping may ignite due to electrical components.
- Keep burning candles, lamps and other items with naked flames away from the appliance so that they do not set the appliance on fire.
- Please be sure to store alcoholic drinks or other packaging containing alcohol in tightly closed containers. Any alcohol that leaks out may be ignited by electrical components.

### Danger of tipping and falling:

- Do not misuse the plinth, drawers, doors etc. as a step or for support. This applies particularly to children.

### Danger of food poisoning:

- Do not consume food which has been stored too long.

### Danger of frostbite, numbness and pain:

- Avoid lasting skin contact with cold surfaces or refrigerated/frozen food or take protective steps, e.g. wear gloves. Do not consume ice cream, water ice or ice cubes immediately and do not consume them too cold.




### Danger of injury and damage:

- Hot steam can lead to injury. Do not use electrical heating or steam cleaning equipment, open flames or defrosting sprays to defrost.
- Do not use sharp implements to remove the ice.

### Risk of crushing

- Do not reach into the soft stop mechanism. Fingers may be trapped when the door is closed.

### Please observe the specific information in the other sections:

	DANGER	identifies a situation involving direct danger which, if not obviated, may result in death or severe bodily injury.
	WARNING	identifies a dangerous situation which, if not obviated, may result in death or severe bodily injury.
	CAUTION	identifies a dangerous situation which, if not obviated, may result in minor or medium bodily injury.
	NOTICE	identifies a dangerous situation which, if not obviated, may result in damage to property.

Note	identifies useful information and tips.
------	---

## 3 Controls and displays

### 3.1 Operating and control elements

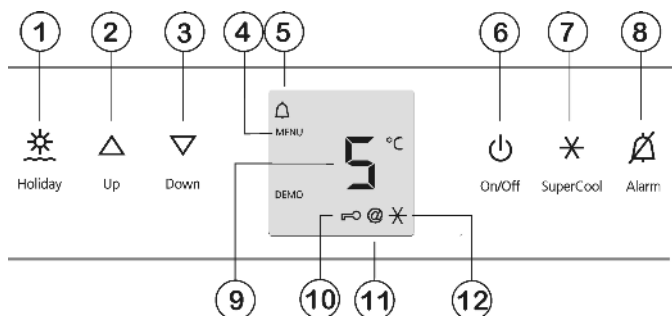


Fig. 3

- |                         |                         |
|-------------------------|-------------------------|
| (1) Holiday button      | (7) SuperCool button    |
| (2) Up setting button   | (8) Alarm button        |
| (3) Down setting button | (9) Temperature display |
| (4) Menu symbol         | (10) Child lock symbol  |
| (5) Alarm symbol        | (11) HomeDialog symbol  |
| (6) On/Off button       | (12) SuperCool symbol   |

### 3.2 Temperature display

The following are displayed in normal operation:

- the average cooling temperature

The following displays indicate malfunction. Possible causes and corrective action (see Malfunction).

- F0 to F9

## 4 Putting into operation

### 4.1 Transporting the appliance



#### CAUTION

Risk of injury and danger of damage as a result of incorrect transport!

- ▶ Transport the appliance in a packed condition.
- ▶ Transport the appliance upright.
- ▶ Do not transport the appliance without assistance.

### 4.2 Installing the appliance



#### WARNING

Fire hazard due to dampness!

If live parts or the mains lead become damp this may cause short circuits.

- ▶ The appliance is designed for use in enclosed areas. Do not operate the appliance outdoors or in areas where it is exposed to splash water or damp conditions.



#### WARNING

Risk of fire due to short circuit!

If the mains cable/connector of the appliance or of another appliance touch the rear of the appliance, the mains cable/connector may be damaged by the appliance vibrations, leading to a short circuit.

- ▶ Stand the appliance so that it is not touched by connectors or main cables.
- ▶ Do not plug the appliance or any others into sockets located near the rear of the appliance.



#### WARNING

Fire hazard due to refrigerant!

The refrigerant R 600a is environmentally friendly but flammable. Escaping refrigerant may ignite.

- ▶ Do not damage the piping of the refrigeration circuit.



#### WARNING

Fire hazard and danger of damage!

- ▶ Do not place appliances emitting heat e.g. microwaves, toasters etc. on the appliance!



#### WARNING

Blocked ventilation openings pose a risk of fire and damage!

- ▶ Always keep the ventilation openings clear. Always ensure that the appliance is properly ventilated!

- In the event that the appliance is damaged, contact the supplier immediately before connecting to the mains.

- The floor at the site must be flat and level.

- Do not install the appliance in a location where it is exposed to direct radiation of the sun, next to a cooker, heater and similar.

- Always stand the appliance with its back directly to the wall.

- The appliance may be moved only when it is empty.

- Do not install the appliance without assistance.

- The more R 600a refrigerant there is in the appliance, the larger the room in which the appliance is standing needs to be. In rooms that are too small, a flammable mix of gas and air may be created if there is a leak. According to the EN 378 standard, every 11 g of R 600a refrigerant requires at least 1 m<sup>3</sup> space in the room for the appliance. The amount of refrigerant in your appliance is on the type plate inside the appliance.

- ▶ Detach the connecting cable from the rear of the appliance, removing the cable holder at the same time because otherwise there will be vibratory noise!

- ▶ Remove the protective film from the outside of the appliance.

#### NOTICE

The stainless steel doors are provided with a high-quality surface coating and must not be treated using the accompanying care product.



Otherwise the surface coating will be affected.

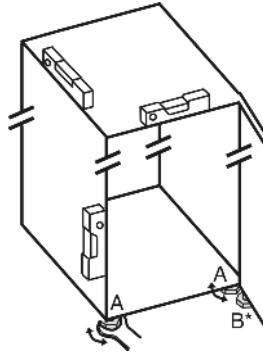
- ▶ Wipe the coated **door surfaces** using a soft, clean cloth only.

- ▶ Apply a stainless steel cleaner only to the **stainless steel side walls** evenly, wiping with the grain. Subsequent cleaning becomes easier as a result.

- ▶ Wipe **side walls with a paint finish** using a soft, clean cloth only.

# Putting into operation

- ▶ Remove all transit supports.
- ▶ Dispose of packaging material (see 4.5).
- ▶ Align the appliance so that it stands firmly and on a level by applying the accompanying spanner to the adjustable-height feet (A) and using a spirit level.
- ▶ Then support the door: Extend the adjustable foot at the turn hinge (B) until it rests on the floor and then make a further 90° turn.



When a Side-by-Side appliance (S...) is fitted together with a second appliance (as a SBS combination):

- ▶ Proceed according to the Side-by-Side combined fridge-freezer installation instructions. (Accessories bag of the SBS freezer/appliance with freezer compartment)

## Note

- ▶ Clean the appliance (see 6.1).

If the appliance is installed in a very damp environment, condensate may form on the outside of the appliance.

- ▶ Always see to good ventilation at the installation site.

## 4.3 Changing over the door hinges

You can change over the door hinges if necessary.

### NOTICE

Risk of damage to side-by-side appliances due to condensation!

When a side-by-side appliance (S...) is fitted together with a second appliance (as a SBS combination), the door hinges must remain as delivered.

- ▶ Do not change over the door hinges.

Ensure that the following tools are to hand:

- Torx® 25
- Torx® 15
- Screwdriver
- Cordless screwdriver, if necessary
- Second person for fitting work, if needed
- Accompanying Allen key size 2

### 4.3.1 Detaching the soft stop unit.

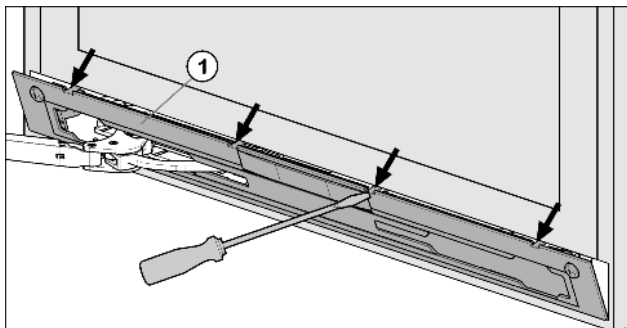


Fig. 4

- ▶ Open the door.

### NOTICE

Risk of damage!

If the door seal is damaged, the door may fail to close properly and the cooling will be inadequate.

- ▶ Do not damage the door seal with the screwdriver!

- ▶ Disengage and remove the faceplate Fig. 4 (1) using a flat-blade screwdriver.
- ▶ The faceplate is attached over the soft stop bracket.

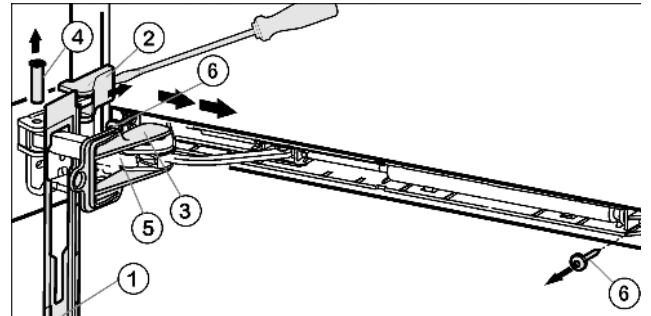


Fig. 5

- ▶ Slide the faceplate forwards over the soft stop bracket Fig. 5 (5) in the direction of the appliance.
- ▶ Snap the safety lock Fig. 5 (3) into the oblong hole.
- ▶ The safety lock prevents the hinge from snap-closing.
- ▶ Using a screwdriver, lift off the cover Fig. 5 (2) from the outside and remove it in an outward direction.
- ▶ If necessary, tip the appliance backwards with the assistance of a second person.
- ▶ Press the pin Fig. 5 (4) out from underneath.
- ▶ Press the soft stop bracket Fig. 5 (5) towards the door.
- ▶ Remove the faceplate Fig. 5 (1).
- ▶ Unscrew the entire soft stop unit (2x Torx® 15) Fig. 5 (6).
- ▶ Pull the soft stop unit out a little, push it in the direction of the handle side and swing it out.
- ▶ Set the soft stop unit aside.

### 4.3.2 Detaching the door

#### Note

- ▶ Remove any food from the door racks before removing the door, so that no food falls out.

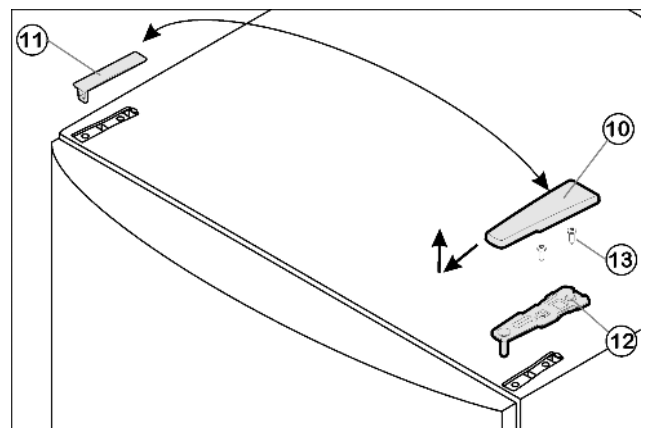


Fig. 6

- ▶ Close the door.
- ▶ Pull off the cover Fig. 6 (10) forwards and upwards.
- ▶ Lift off the cover Fig. 6 (11).



### CAUTION

Risk of injury if the door tips!

- ▶ Take good hold of the door.
- ▶ Set down the door carefully.

- ▶ Unscrew the upper turn hinge Fig. 6 (12) (2x Torx® 25) Fig. 6 (13) and raise it for removal.
- ▶ Lift up the door and set it aside.

## 4.3.3 Changing the bearing parts

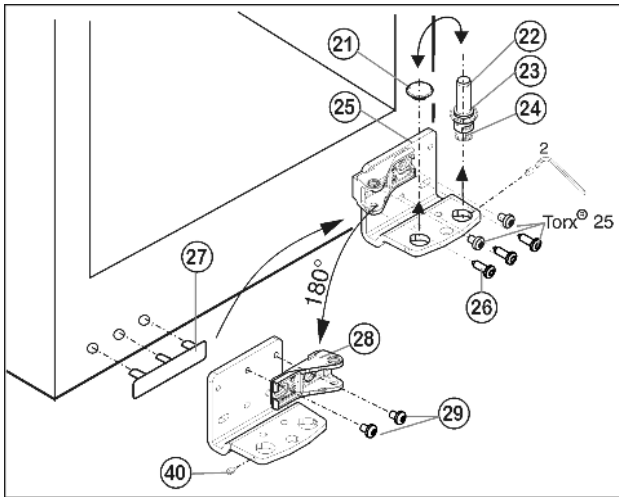


Fig. 7

- ▶ Using the accompanying Allen key, unscrew the threaded pin Fig. 7 (40) by about 1 turn.
- ▶ Turn and lift out the bearing pin Fig. 7 (22) together with washer Fig. 7 (23) and adjustable-height foot Fig. 7 (24).
- ▶ Lift off the stopper Fig. 7 (21).
- ▶ Unscrew the turn hinge Fig. 7 (25).
- ▶ Fully unscrew the threaded pin Fig. 7 (40) and screw it in on the opposite side, at the turn hinge, until it is flush outside with the turn hinge.
- ▶ Unscrew the bearing element Fig. 7 (28), turn it through 180° and screw it firmly back into place.
- ▶ Re-insert the stopper Fig. 7 (21) into the other hole.
- ▶ Carefully lift off the cover on the handle side Fig. 7 (27) and transfer it to the opposite side.
- ▶ Screw the turn hinge Fig. 7 (25) firmly into place on the new hinge side, possibly using a cordless screwdriver (with 4 Nm).
- ▶ Re-insert the bearing pin Fig. 7 (22) together with washer and adjustable-height foot.
- ▶ Tighten the threaded pin Fig. 7 (40).

## 4.3.4 Transferring the handle

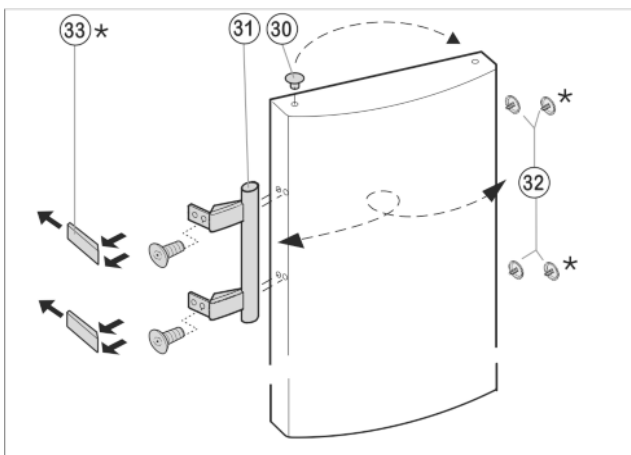


Fig. 8

- ▶ Lift the stopper Fig. 8 (30) out of the door bearing bush and transfer it.
- ▶ Dismantle the door handle Fig. 8 (31), stoppers Fig. 8 (32) and pressure plates\* Fig. 8 (33) and transfer to the opposite side.
- ▶ When fitting the pressure plates on the opposite side, make sure they snap properly into place.\*

## 4.3.5 Fitting the door

- ▶ Place the door from above onto the lower bearing pin Fig. 7 (22).
- ▶ Close the door.
- ▶ Insert the upper turn hinge Fig. 6 (12) in the door on the new hinge side.
- ▶ Screw the upper turn hinge Fig. 6 (12) firmly into place (with 4 Nm) (2x Torx® 25) Fig. 6 (13). Possibly make preliminary holes with a bradawl or use a cordless screwdriver.
- ▶ Snap the cover Fig. 6 (10) and cover Fig. 6 (11) into place at the opposite side.

## 4.3.6 Fitting the soft stop unit

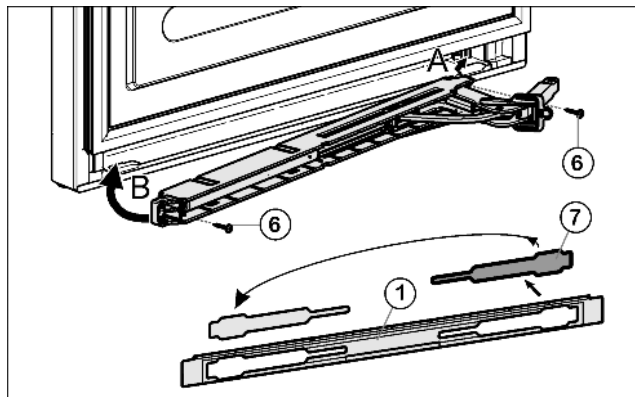


Fig. 9

- ▶ Remove the cover Fig. 9 (7) from the faceplate Fig. 9 (1) and re-insert it at the other side.
- ▶ Engage the soft stop unit with the joint pointing to the hinge side (A) and swivel into place (B).
- ▶ The screw holes at the left and right have to register.
- ▶ Screw down the soft stop unit (2x Torx® 15) Fig. 9 (6).

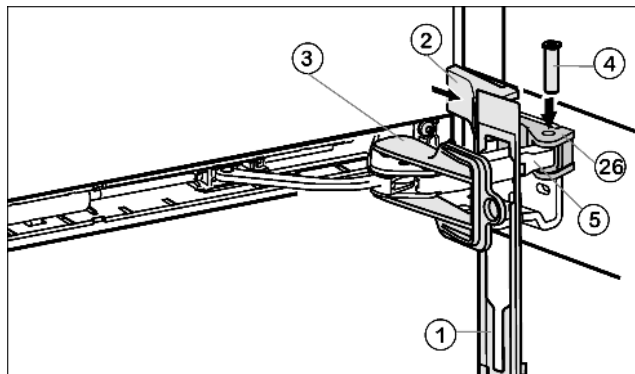


Fig. 10

- ▶ Attach the faceplate Fig. 10 (1) to the soft stop bracket so that the catches face forwards and the front faces the appliance.
- ▶ Draw the soft stop bracket Fig. 10 (5) towards the bearing part Fig. 10 (26) and re-insert the pin Fig. 10 (4) from above so that the square sits in the recess.
- ▶ Attach and engage the cover Fig. 10 (2).
- ▶ Pay attention that the cover fits properly so that the door closes properly and the pin is secured.
- ▶ Twist the safety lock Fig. 10 (3) for removal.
- ▶ Snap the faceplate Fig. 10 (1) onto the door.
- ▶ Close the door.

## 4.3.7 Aligning the door

- ▶ Align the door to the appliance housing by way of the two oblong holes in the bottom turn hinge Fig. 7 (25). To do so, unscrew the middle screw.

# Control



## WARNING

Risk of injury due to the door dropping out!  
If the bearing parts are not screwed into place firmly enough, the door may drop out. This may lead to severe injuries. What is more, the door may not close and therefore the appliance may fail to cool properly.

- ▶ Screw the turn hinges firmly into place with 4 Nm.
- ▶ Check all of the screws and retighten if necessary.

## 4.4 Insertion into a row of kitchen units

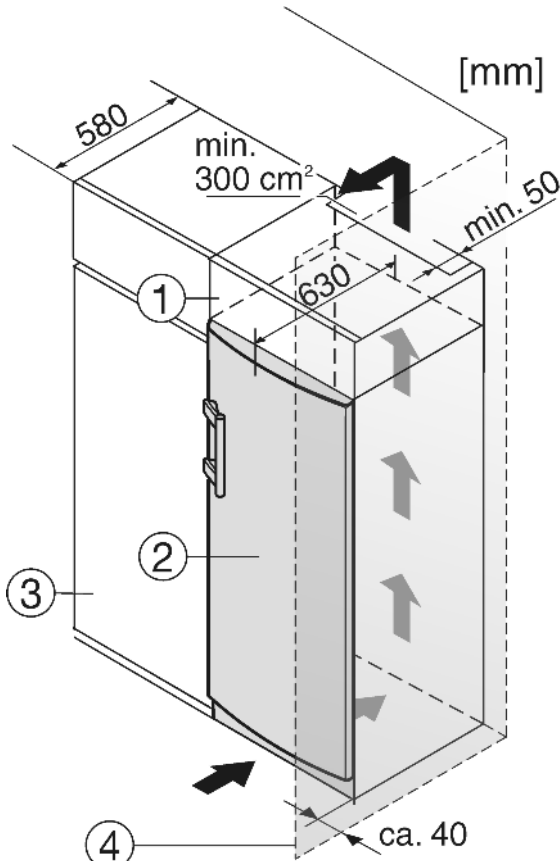


Fig. 11

- (1) Stack cabinet (3) Kitchen cabinet  
(2) Appliance (4) Wall

The appliance can be inserted into a row of kitchen units. To match the appliance Fig. 11 (2) to the height of the row of units, a suitable stack cabinet Fig. 11 (1) can be fitted above the appliance.

When inserting the appliance into a row of kitchen units (max. depth 580 mm), the appliance can be installed directly next to the kitchen unit Fig. 11 (3). The appliance door projects relative to the front of the kitchen unit by 34 mm at the side and by 50 mm in the middle of the appliance. It can be opened and closed perfectly as a result.

Ventilation requirements:

- At the back of the stack cabinet there has to be a ventilation duct of at least 50 mm depth throughout the width of the stack cabinet.
- the larger the ventilation space, the more energy-saving the appliance is in operation.

If the appliance is installed with the hinges next to a wall Fig. 11 (4), the distance between appliance and wall has to be at least 40 mm. This corresponds to the projection of the handle when the door is open.

## 4.5 Disposing of packaging



## WARNING

Danger of suffocation due to packing material and plastic film!  
▶ Do not allow children to play with packing material.

The packaging is made of recyclable materials:

- corrugated board/cardboard
  - expanded polystyrene parts
  - polythene bags and sheets
  - polypropylene straps
  - nailed wooden frame with polyethylene panel\*
- ▶ Take the packaging material to an official collecting point.



## 4.6 Connecting the appliance

### NOTICE

Risk of damage to the electronic control system!

- ▶ Do not use stand-alone inverters (conversion of d.c. to a.c./three-phase) or energy saving plugs.



## WARNING

Fire and overheating hazard!

- ▶ Do not use extension cables or multiple socket outlets.

The type of current (alternating current) and voltage at the installation site have to conform with the data on the type plate (see Appliance at a glance).

The socket must be properly earthed and fused. The tripping current for the fuse must be between 10 A and 16 A.

The socket must be easily accessible so that the appliance can be quickly disconnected from the supply in an emergency. It must be outside the area of the rear of the appliance.

- ▶ Check the electrical connection.
- ▶ Plug in the power plug.



## 4.7 Switching on the appliance



- ▶ Press On/Off button Fig. 3 (6).
- ▷ The temperature display indicates the current temperature.
- ▷ The interior light is on when the door is open.
- ▷ If "DEMO" is displayed, demo mode is activated. Please contact the after sales service.

## 5 Control

### 5.1 Brightness of the temperature display

You can adjust the brightness of the temperature display to the light conditions of the room in which the appliance is installed.

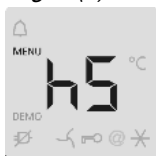
#### 5.1.1 Adjusting the brightness

The brightness is adjustable between h0 (no illumination) and h5 (maximum luminosity).

- ▶ To activate the setting mode: press SuperCool button Fig. 3 (7) for about 5s.



- ▷ The display indicates **c**.
- ▷ The menu symbol *Fig. 3 (4)* shines.
- ▶ Using the Up setting button *Fig. 3 (2)* and Down setting button *Fig. 3 (3)*, select **h**.
- ▶ To confirm: briefly press the SuperCool button *Fig. 3 (7)*.
- ▶ To set the display brighter: press the Up setting button *Fig. 3 (2)*.
- ▶ To set the display darker: press the Down setting button *Fig. 3 (3)*.
- ▶ To confirm: briefly press the SuperCool button *Fig. 3 (7)*.
- ▷ The brightness is adjusted to the new value.
- ▶ To deactivate the setting mode: press the On/Off button *Fig. 3 (6)*.



-or-

- ▶ Wait for 5 minutes.
- ▷ The temperature is indicated again in the temperature display.

## 5.2 Child proofing

The child-proofing function enables you to make sure that the appliance is not inadvertently switched off by playing children.



### 5.2.1 Setting the child lock function

- ▶ To activate the setting mode: press SuperCool button *Fig. 3 (7)* for about 5 s.
- ▷ The display indicates **c**.
- ▷ The menu symbol *Fig. 3 (4)* shines.
- ▶ Briefly press the SuperCool button *Fig. 3 (7)* to confirm.
- When **cl** is indicated in the display:
- ▶ to activate the child lock, briefly press the SuperCool button *Fig. 3 (7)*.



- ▷ The child lock symbol *Fig. 3 (10)* shines. **c** flashes in the display.
- When **cl** is indicated in the display:
- ▶ to deactivate the child lock, briefly press the SuperCool button *Fig. 3 (7)*.
- ▷ The child lock symbol *Fig. 3 (10)* goes out. **c** flashes in the display.
- ▶ To deactivate the set-up mode: press On/Off button *Fig. 3 (6)*.

-or-

- ▶ Wait for 5 minutes.
- ▷ The temperature is indicated again in the temperature display.

## 5.3 Door alarm

If the door is open for longer than 60 seconds, the audible warning will sound.

The audible alarm is automatically silenced when the door is closed.



### 5.3.1 Muting the door alarm

The audible alarm can be muted when the door is open. The sound switch-off function is active as long as the door is left open.

- ▶ Press alarm button *Fig. 3 (8)*.
- ▷ The door alarm is silenced.

## 5.4 Refrigerator compartment

The natural circulation of air in the refrigerator compartment results in zones differing in temperature. It is coldest directly above the plate separating off the BioFreshPlus zone and at the rear wall. It is warmest at the top front of the compartment and in the door.

### 5.4.1 Food refrigeration

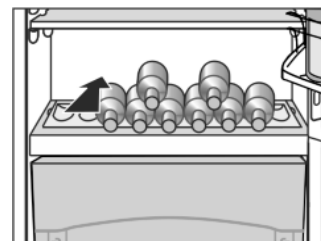
#### Note

The energy consumption increases and the cooling performance decreases if the ventilation is inadequate.

- ▶ Always keep the air slits of the fan free.
- ▶ Place butter and preserves in the upper area and in the door (see Appliance at a glance).
- ▶ Use recyclable plastic, metal, aluminium and glass containers and cling film for wrapping.
- ▶ Always store liquids and food which is subject to odour or taste transfer in closed containers or cover them.
- ▶ Foods which give off a large amount of ethylene gas and delicate foods, such as fruit, vegetables, salad, should always be stored separately or wrapped so as not to reduce the storage life; e.g. do not store tomatoes together with kiwis or cabbage.
- ▶ Use the front area of the refrigerator compartment floor only for briefly putting down cooled products, e.g. when rearranging and sorting. However do not leave cooled products there otherwise they may be pushed back or tipped over when the door is closed.
- ▶ Do not store food too close together to enable good air circulation.
- ▶ To safeguard bottles from tipping over: move the bottle holder.

At the base of the refrigerator compartment, the integrated bottle shelf or alternatively the glass shelf can be used:

- ▶ To use the bottle shelf: store the glass shelf compactly under the bottle shelf.
- ▶ Place the bottles with the base pointing backwards facing the rear wall.
- If the bottles project beyond the bottle shelf:
- ▶ set the lower door rack one position higher.



### 5.4.2 Setting the temperature

The temperature depends on the following factors:

- the frequency of opening the door
- the room temperature of the installation location
- the type, temperature and quantity of the food

The temperature can be set from 9 °C to 3 °C, the recommended temperature is 5 °C.

- ▶ For a higher temperature setting: press Up button *Fig. 3 (2)*.
- ▶ For a lower temperature setting: press Down button *Fig. 3 (3)*.
- ▷ When the button is pressed the first time, the previously set value is indicated, flashing, in the temperature display.
- ▶ To change the temperature in 1 °C steps: briefly press the button.
- ▶ To change the temperature continuously: hold down the button.
- ▷ The value is displayed flashing during the setting operation.
- ▷ The actual temperature is displayed about 5 s after the last press of a button. The temperature slowly adjusts to the new value.

# Control

## 5.4.3 SuperCool

With SuperCool you switch to the highest cooling performance to reach lower cooling temperatures. Use SuperCool, to rapidly cool large amounts of food.



The SuperCool function uses slightly more energy.

### Cooling with SuperCool

- ▶ Briefly press SuperCool button *Fig. 3 (7)*.
- ▷ The SuperCool symbol *Fig. 3 (12)* lights up in the display.
- ▷ The cooling temperature drops to the coldest value. SuperCool is activated.
- ▷ SuperCool is automatically deactivated after 6 to 12 hours. The appliance continues to operate in the energy-saving, normal mode.

### To prematurely deactivate SuperCool

- ▶ Briefly press SuperCool button *Fig. 3 (7)*.
- ▷ The SuperCool symbol *Fig. 3 (12)* goes out in the display.
- ▷ SuperCool is deactivated.

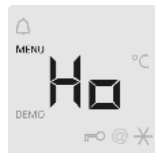
## 5.4.4 Holiday mode

The holiday mode saves energy and prevents odour from occurring when the door of the refrigerator compartment stays closed for a lengthy period.



### Activating the holiday mode

- ▶ Remove all the food from the refrigerator and BioFresh compartment, otherwise they will perish..
- ▶ Press the holiday button *Fig. 3 (1)* for 3 sec.



- ▷ The holiday mode is activated. The display indicates **Ho**.

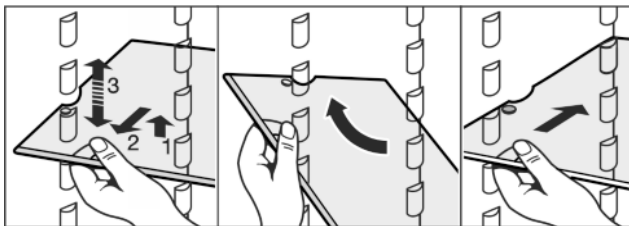
### Deactivating the holiday mode

- ▶ Briefly press the holiday button *Fig. 3 (1)*.
- ▷ The holiday mode is deactivated.
- ▷ The current cooling temperature is indicated in the display.

## 5.4.5 Shelves

### Moving or removing shelves

The shelves have stops preventing them from being unintentionally pulled out.

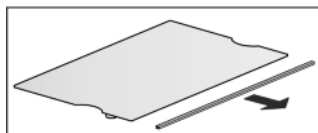


*Fig. 12*

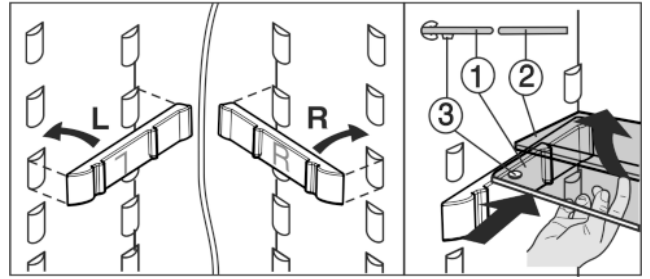
- ▶ Lift the shelf slightly and pull forward a little.
- ▶ Adjust the height of the shelf. To do so, push the cut-outs along the supports.
- ▶ In order to remove the shelf fully, place it at a slant and pull out towards the front.
- ▶ Re-insert shelves at the required height. The stops must face downwards and lie behind the front shelves.

### Dismantling shelves

- ▶ The shelves can be dismantled for cleaning.



## 5.4.6 Using the sectioned shelf



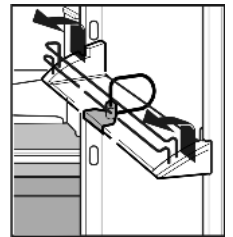
*Fig. 13*

- ▶ Attach the support rails, paying attention to the right (R) and left (L) part!
- ▶ The glass plate (1) with pull-out stops must be at the front so that the stops (3) face downwards.

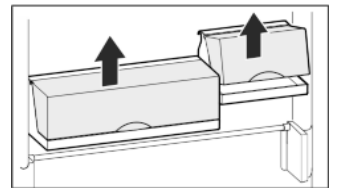
## 5.4.7 Door racks

### Moving the storage rack

- ▶ Remove storage rack according to illustration.



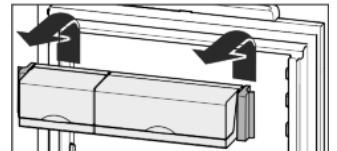
The boxes can be removed and placed on the table as a single unit.



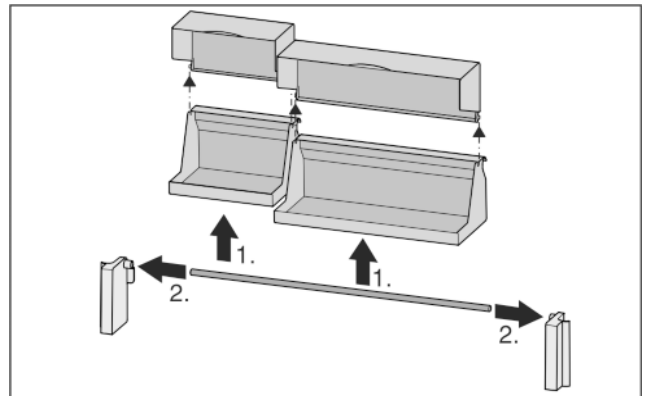
Three small boxes are available through the customer service as optional equipment instead of one wide and one small box.

Either one or both the boxes can be used. If particularly tall bottles are to be stored, hang only a single box above the bottle rack.

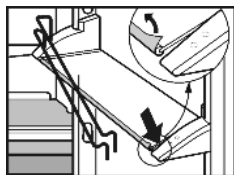
- ▶ Re-positioning the boxes: Lift them for removal and reposition them as required.



### Dismantling door racks



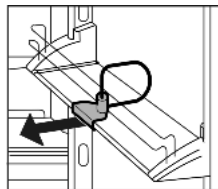
*Fig. 14*



- The door racks can be dismantled for cleaning.

#### 5.4.8 Removing the bottle holder

- Always take hold of the bottle holder on the plastic part.



### 5.5 BioFresh compartment

The BioFresh compartment allows some types of fresh food to be stored up to three times longer than in conventional refrigerators, without compromising quality.

For food with an indicated best before date, the date specified on the packaging always applies.

#### 5.5.1 HydroSafe

The HydroSafe at the moist setting is suited for storing unwrapped salad, vegetables and fruit with high inherent moisture. When the drawer is well filled, a dewy climate with up to 90% humidity is established. The humidity in the compartment depends on the moisture content of the food stored and on the opening frequency. You can set the humidity yourself.

#### 5.5.2 BioFreshPlus compartment (adjustable)

The adjustable BioFreshPlus compartment is suited for storing seafood, fruit/vegetables or tropical fruits, depending on setting.

#### 5.5.3 Storing food

##### Note

- Vegetables sensitive to cold, such as cucumbers, aubergines, semi-ripe tomatoes, zucchinis and all tropical fruits sensitive to cold, do not belong in the BioFresh compartment.

- Store citrus and tropical fruits in the BioFreshPlus compartment at +6 °C.

- To prevent food spoilage due to transfer of germs: Store unwrapped animal and vegetable products separate from one another in the drawers. This also applies to different sorts of meat.

If food has to be stored together due to lack of space:

- wrap the food.

#### 5.5.4 Storage times

Standard values for storage time at low humidity			
Butter	up to	90	days
Hard cheese	up to	110	days
Milk	up to	12	days
Sausage, cold meat	up to	9	days
Poultry	up to	6	days
Pork	up to	7	days
Beef	up to	7	days

Standard values for storage time at low humidity			
Game	up to	7	days

##### Note

- Please note that protein-rich food deteriorates faster, i.e. shellfish and crustaceans deteriorate faster than fish, fish faster than meat.

Standard values for storage time at high humidity			
Vegetables, salad			
Artichokes	up to	14	days
Celery	up to	28	days
Cauliflower	up to	21	days
Broccoli	up to	13	days
Chicory	up to	27	days
Lamb's lettuce	up to	19	days
Peas	up to	14	days
Kale	up to	14	days
Carrots	up to	80	days
Garlic	up to	160	days
Kohlrabi	up to	55	days
Lettuce	up to	13	days
Herbs	up to	13	days
Leek	up to	29	days
Mushrooms	up to	7	days
Radishes	up to	10	days
Brussels sprouts	up to	20	days
Asparagus	up to	18	days
Spinach	up to	13	days
Savoy cabbage	up to	20	days
Fruit			
Apricots	up to	13	days
Apples	up to	80	days
Pears	up to	55	days
Blackberries	up to	3	days
Dates	up to	180	days
Strawberries	up to	7	days
Figs	up to	7	days
Blueberries	up to	9	days
Raspberries	up to	3	days
Currants	up to	7	days
Sweet cherries	up to	14	days
Kiwis	up to	80	days
Peaches	up to	13	days
Plums	up to	20	days
Cranberries	up to	60	days
Rhubarb	up to	13	days
Gooseberries	up to	13	days

Standard values for storage time at high humidity				
Grapes		up to	29	days

Additional standard values for storage time in the BioFreshPlus compartment				
Seafood				
Crab	at -2 °C	up to	4	days
Mussels	at -2 °C	up to	6	days
Sushi	at -2 °C	up to	4	days
Tropical fruits				
Papaya	at 6 °C	up to	15	days
Prickly pear	at 0 °C	up to	20	days
Passion fruit	at 6 °C	up to	24	days
Lemons	at 6 °C	up to	45	days
Limes	at 6 °C	up to	55	days

## 5.5.5 Setting the temperature for BioFreshPlus

- ▶ The temperature for the BioFreshPlus compartment can be set separately on the control panel. (see Appliance at a glance)

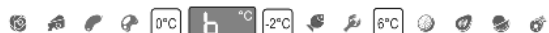


Fig. 15

- ▶ Setting for fish and seafood: Press -2 °C button.
- ▶ Setting as normal BioFresh compartment: Press 0 °C button.
- ▶ Setting for tropical fruits: Press 6 °C button.

## 5.5.6 Adjusting the temperature in the BioFresh compartment

The temperature is controlled automatically. At a temperature in the refrigerator compartment of 5 °C, the temperature in the BioFresh compartment is between 0 °C and 3 °C.

You can adjust the temperature slightly colder or warmer. The temperature is adjustable:

- In the **BioFresh compartment** from **bl** (coldest temperature) to **b9** (warmest temperature).
- In the **BioFreshPlus compartment** from **ul** (coldest temperature) to **u9** (warmest temperature).

The presetting is **b5/u5**. With the **bl/ul** bis **b4/u4** values, the temperature can drop below 0 °C, and therefore food can freeze slightly as a result.

### Note

**for testing institutes:** If temperatures below 3 °C are to be reached in the refrigerator compartment:

- ▶ set the temperature in the BioFresh compartment to b1-b4.
- ▶ To activate the setting mode: press the SuperCool button Fig. 3 (7) for about 5 s.
- ▷ The menu symbol Fig. 3 (4) shines. The temperature display indicates **c**.
- ▶ Press the Up setting button Fig. 3 (2) the number of times required for **b/u** to flash in the display.
- ▶ To confirm: briefly press the SuperCool button Fig. 3 (7).
- ▶ For a colder temperature adjustment: press Down setting button Fig. 3 (3).

- ▶ To confirm: press SuperCool button Fig. 3 (7).
- ▷ The temperature slowly adjusts to the new value.

66

- ▶ To deactivate the setting mode: press the On/Off button Fig. 3 (6).

-or-

- ▶ Wait for 5 minutes.

- ▷ The temperature is indicated again in the temperature display.

## 5.5.7 Setting the humidity in the HydroSafe

- ▶ Low humidity: move the regulator to the left.

- ▶ High humidity: move the regulator to the right.



## 5.5.8 Drawers

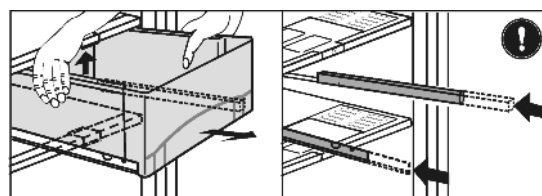


Fig. 16

- ▶ Pull out the drawer, lift it at the back and draw it forwards for removal.
- ▶ Push the rails in again!

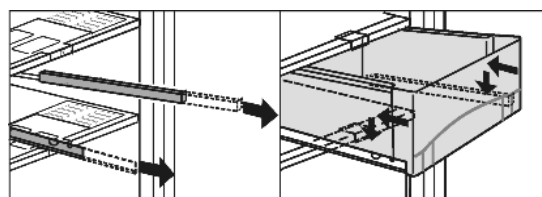


Fig. 17

- ▶ Pull out the rails.
- ▶ Attach the drawer to the rails and push it in until it engages audibly at the back.

## 5.5.9 Humidity control plate

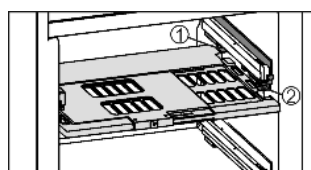


Fig. 18

- ▶ To remove the humidity control plate: Having removed the drawers, carefully draw the plate forwards and lower it for removal.
- ▶ To insert the humidity control plate: Insert the cover mouldings of the plate into the rear holder Fig. 18 (1) from underneath and engage them in the holder Fig. 18 (2) at the front.

## 6 Maintenance

### 6.1 Cleaning the appliance



#### WARNING

Risk of injury and damage as a result of hot steam!  
Hot steam can lead to burns and can damage the surfaces.

- ▶ Do not use any steam cleaners!

#### NOTICE

Incorrect cleaning damages the appliance!

- ▶ Do not use cleaning agents in concentrated form.
- ▶ Do not use any scouring or abrasive sponges or steel wool.
- ▶ Please do not use any aggressive, scouring, sand-, chloride-, chemical- or acid-based cleaning agents.
- ▶ Do not use chemical solvents.
- ▶ Do not damage or remove the type plate on the inside of the appliance. It is important for the customer service.
- ▶ Do not pull off, bend or damage cables or other components.
- ▶ Do not allow any cleaning water to enter the drain channel, ventilation grille or electrical parts.
- ▶ Please use soft cleaning cloths and a universal pH-neutral cleaning agent.
- ▶ Please use cleaning and care products suitable for contact with foodstuffs in the appliance interior.

- ▶ **Empty appliance.**
- ▶ **Pull out the power plug.**



- ▶ Clean **plastic outer and inner surfaces** with lukewarm water and a little washing-up liquid.

Do not apply stainless steel cleaning agent to glass or plastic surfaces to prevent them from being scratched. Darker areas at the beginning and quite an intensive colour of the stainless steel surface are normal.

#### NOTICE

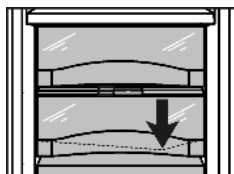
The stainless steel doors are provided with a high-quality surface coating and must not be treated using the accompanying care product.



Otherwise the surface coating will be affected.

- ▶ Wipe the coated **door surfaces** using a soft, clean cloth only. In case of stubborn dirt, use a little water or a neutral cleaning agent. A microfibre cloth can be optionally used.
- ▶ If the **stainless steel side walls** are dirty, clean them using a commercially available stainless steel cleaning agent. Then evenly apply the accompanying stainless steel care product, making strokes in the direction of the grain.
- ▶ Wipe **side walls with a paint finish** using a soft, clean cloth only. In case of stubborn dirt, use a little water or a neutral cleaning agent. A microfibre cloth can be optionally used.

- ▶ Clean **drain hole**: Remove deposits with a narrow instrument, e.g. a cotton bud.



- ▶ Most of the **parts** can be dismantled for cleaning: see the relevant chapter.
- ▶ Clean **items of equipment** by hand with lukewarm water and a little washing-up liquid.
- ▶ Only use a damp cloth to clean the **telescopic rails**. The grease in the runners is for lubrication purposes and must not be removed.

#### After cleaning:

- ▶ Wipe dry the appliance and items of equipment.
- ▶ Connect the appliance and switch it on again.
- ▶ Put the food back inside.

### 6.2 Customer service

First check whether you can correct the fault yourself by reference to the list (see Malfunction). If this is not the case, please contact the customer service whose address is given in the enclosed customer service list.



#### WARNING

Risk of injury if repair work is not carried out professionally!

- ▶ Have any repairs and action - not expressly specified - on the appliance and mains cable carried out by service personnel only. (see Maintenance)

- ▶ Read the appliance designation  
*Fig. 19 (1)*, service No. *Fig. 19 (2)* and serial No. *Fig. 19 (3)* off the type plate located inside the appliance on the left-hand side.

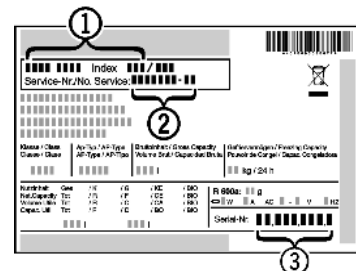


Fig. 19

- ▶ Notify the customer service, specifying the fault, appliance designation *Fig. 19 (1)*, service No. *Fig. 19 (2)* and serial No. *Fig. 19 (3)*.
- ▷ This will help us to provide you with a faster and more accurate service.
- ▶ Keep the appliance closed until the customer service arrives.
- ▷ The food will stay cool longer.
- ▶ Pull out the mains plug (not by pulling the connecting cable) or switch off the fuse.

## 7 Malfunction

Your appliance is designed and manufactured for a long life span and reliable operation. If a malfunction nonetheless occurs during operation, check whether it is due to a handling error. In this case you will have to be charged for the costs incurred, even during the warranty period. You may be able to rectify the following faults yourself:

#### Appliance does not work.

- The appliance is not switched on.
- ▶ Switch on the appliance.
- The power plug is not properly inserted in the wall socket.
- ▶ Check power plug.
- The fuse of the wall socket is not in order.
- ▶ Check fuse.

#### The compressor runs for a long time.

- The compressor switches to a low speed when little cold is needed. Although the running time is increased as a result, energy is saved.
- ▶ This is normal in energy-saving models.
- SuperCool is activated.
- ▶ The compressor runs for longer in order to rapidly cool the food. This is normal.

#### A LED on the bottom rear of the appliance (at the compressor) flashes regularly every 15 seconds\*.

- The inverter is equipped with a diagnostic LED.
- ▶ The flashing is normal.

# Decommissioning

## Excessive noise.

- Due to the various speed steps, speed-regulated\* compressors can generate different running noises.
- ▶ The sound is normal.

## A bubbling and gurgling noise.

- This noise comes from the refrigerant flowing in the refrigeration circuit.
- ▶ The sound is normal.

## A quiet clicking noise.

- The noise is produced whenever the refrigeration unit (motor) automatically switches on or off.
- ▶ The sound is normal.

## A hum. It is briefly a little louder when the refrigeration unit (the motor) switches on.

- The refrigeration increases automatically when the Super-Cool function is activated, fresh food has just been placed in the appliance or the door has been left open for a while.
- ▶ The sound is normal.
- The ambient temperature is too high.
- ▶ Solution: (see 1.2)

## A low hum.

- The sound is produced by air flow noise of the fan.
- ▶ The sound is normal.

## Vibratory noise.

- The appliance is not fixed to the ground. The running of the cooling unit therefore makes objects and adjacent furniture vibrate.
- ▶ Adjust appliance via the height-adjustable feet.
- ▶ Move bottles and containers apart.

## Flow sound at the soft stop mechanism.

- The noise is produced when the door is opened and closed.
- ▶ The sound is normal.

## The temperature display indicates: F0 to F9

- There is a fault.
- ▶ Please contact the after-sales service (see Maintenance).

## DEMO shines in the temperature display.

- The demo mode is activated.
- ▶ Please contact the after-sales service (see Maintenance).

## The outer surfaces of the appliance are warm\*.

- The heat of the refrigeration circuit is used to prevent condensate from forming.
- ▶ This is normal.

## The temperature is not cold enough.

- The door of the appliance is not properly closed.
- ▶ Close the door of the appliance.
- Insufficient ventilation.
- ▶ Clear ventilation grilles.
- The ambient temperature is too high.
- ▶ Solution: (see 1.2) .
- The appliance was opened too frequently or for too long.
- ▶ Wait to see whether the appliance reaches the required temperature by itself. If not, please contact the after sales service (see Maintenance).
- The temperature is incorrectly set.
- ▶ Set the temperature to a colder setting and check after 24 hours.
- The appliance is too close to a source of heat (stove, heater etc).
- ▶ Change the position of the appliance or the source of heat.

## The interior light is not on.

- The appliance is not switched on.
- ▶ Switch on the appliance.
- The door was open longer than 15 min.

- ▶ The interior light automatically switches off if the door has been open for about 15 min.
- The LED illumination is defective or the cover is damaged:



### WARNING

Risk of injury due to electric shock!  
Live parts are located under the cover.

- ▶ Have the LED interior light changed or repaired only by the customer service or by specialized personnel trained for the purpose.



### WARNING

Danger of injury by LED lamp!

The light intensity of the LED illumination corresponds to laser class 1/1M.

If the cover is defective:

- ▶ Do not look into the illumination with optical lenses from the immediate proximity. This can cause injury to the eyes.

## 8 Decommissioning

### 8.1 Switching off the appliance

- ▶ Press On/Off button *Fig. 3 (6)* for approx. 2 seconds.
- ▷ The temperature display is dark.
- ▷ If the appliance cannot be switched off, the child lock function is active (see 5.2) .



### 8.2 Taking the appliance out of service

- ▶ Empty the appliance.
- ▶ Pull out the power plug.
- ▶ Clean the appliance (see 6.1) .



- ▶ Leave the door open to prevent odour.

## 9 Disposing of the appliance

The appliance contains some reusable materials and should be disposed of properly - not simply with unsorted household refuse. Appliances which are no longer needed must be disposed of in a professional and appropriate way, in accordance with the current local regulations and laws.



When disposing of the appliance, ensure that the refrigeration circuit is not damaged to prevent uncontrolled escape of the refrigerant it contains (data on type plate) and oil.

- ▶ Disable the appliance.
- ▶ Pull out the plug.
- ▶ Cut through the connecting cable.



