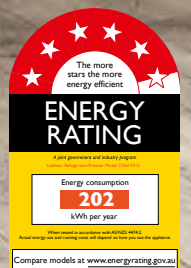


BLU
Performance

Energy Efficiency At Its Best

Quality, Design and Innovation

CNef 4315



LIEBHERR



SmartSteel: With SmartSteel used on the appliance door the visibility of fingerprints is reduced, making it very easy to clean. Maintain this beautiful door exterior simply with a wipe of a clean, dry or damp cloth.



Touch control system: Our intuitive electronic touch control panel ensures all functions are easy and convenient to use as well as guarantees that the settings selected remain accurate and constant.



BioCool: The humidity level inside the BioCool-Box can be regulated using a slider control so that the freshness of produce stored in the box can be preserved for longer.

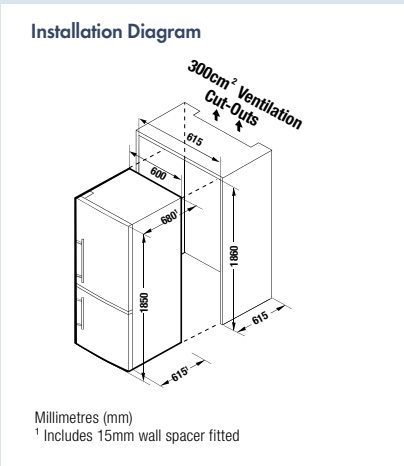
Liebherr's BluPerformance **CNef 4315** fridge-freezer is characterised by premium-quality materials, craftsmanship in every detail, and precision touchscreen electronic controls. The integration of all the refrigeration components into the base of the appliance ensures maximum energy efficiency, a greater net capacity, and enhanced freezer compartment ergonomics.

Meanwhile, BioCool technology keeps food fresher for longer. The elegant and timeless design of this model makes it a guaranteed highlight in any home.

CNef 4315
Comfort

- Bio Cool
- No Frost
- Duo Cooling
- Smart Steel

| | |
|--|---------------------------------|
| Energy consumption (kWh/yr) Star rating | 202 5.5 |
| Compressors | 1 |
| Total Usable Litres | 321 |
| Refrigerator Usable Litres | 220 |
| Freezer Usable Litres | 101 |
| Control system Display | Touch Electronic 2.4" Display |
| Child proof setting for display & temperature | • |
| LED standard lighting | • |
| DuoCooling | • |
| Sabbath mode | • |
| Handle | Aluminium |
| Temp alarm Malfunction warning signal Door open warning signal | • • • |
| Removable door seals | • |
| BioCool-Box | • |
| SuperCool | • |
| Activated charcoal filter | • |
| GlassLine shelves | • |
| Egg tray | • |
| Automatic refrigerator defrosting Freezer defrosting | • Frost Free |
| FrostSafe system with transparent drawers Freezer drawers | • 3 |
| SuperFrost VarioSpace | • • |
| 24hr freezing capacity (kg) | 16 |
| Door hinges | Right, reversible |
| Voltage (V) Rated Current (A) | 220-240 1.4 |
| Made in | Germany |



Note: Whilst every effort is made to ensure all specifications and information in this flyer are accurate, Liebherr reserves the right to make changes without notification. Where actual appliance measurements, specifications, and ratings are crucial, we recommend that the actual appliance installation instructions that accompany each appliance be checked. Liebherr will not be liable for any loss.

Subject to modification. Current data see home.liebherr.com.au (151021)