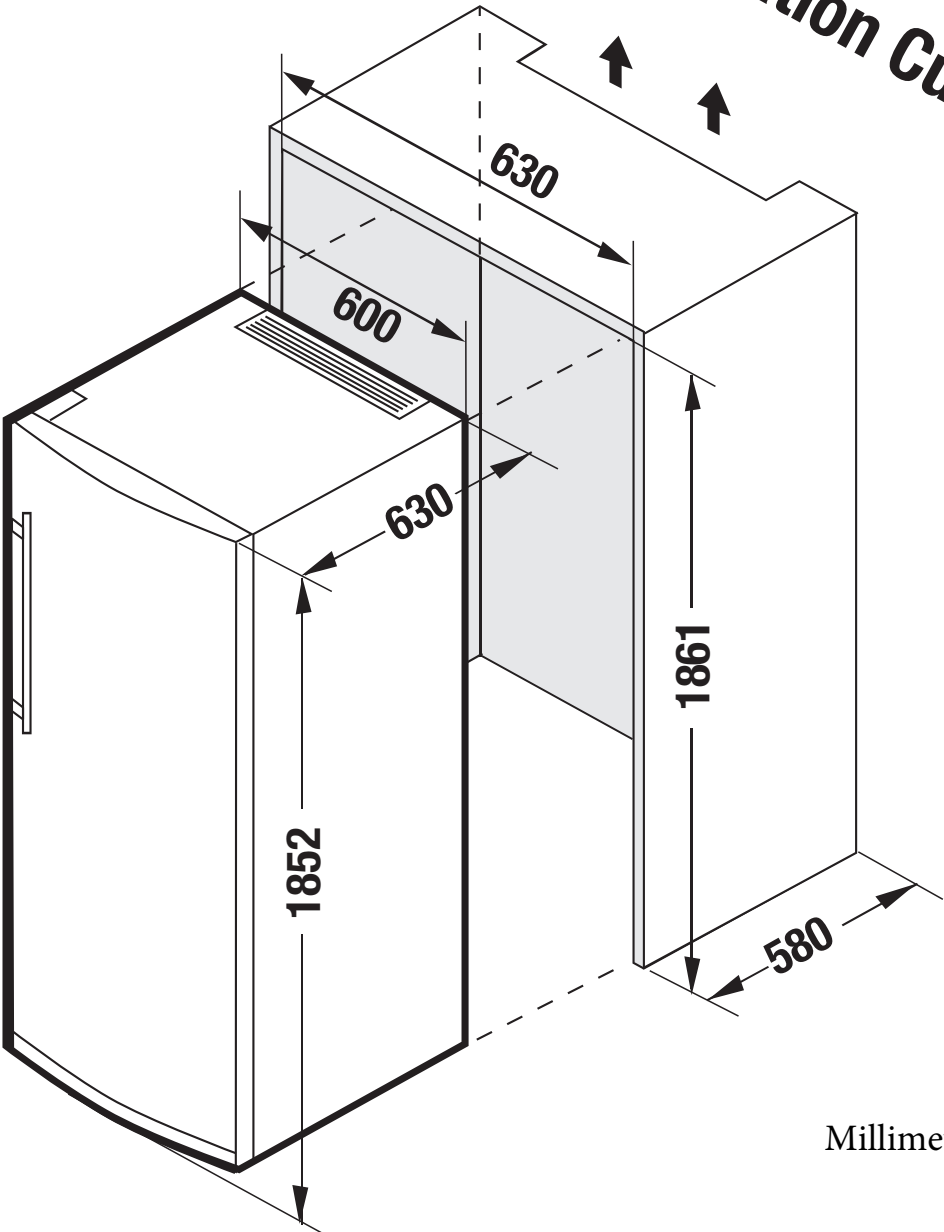


300cm² Ventilation Cut-Off



Millimetres (mm)