

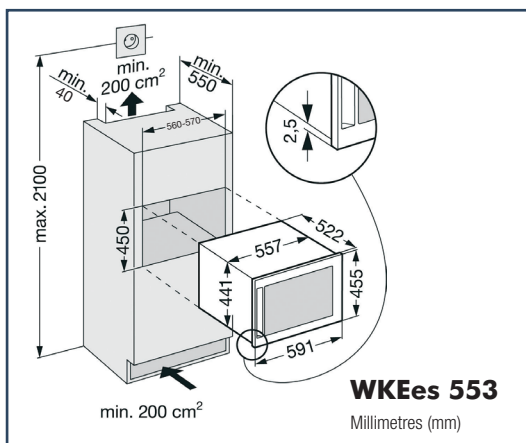
**BUILT-IN SINGLE ZONE WINE CELLAR**

**WKEes 553**



**LIEBHERR**

# LIEBHERR BUILT-IN SINGLE ZONE WINE CELLAR WKEes 553



Model	WKEes 553
Type   Category	BI   GrandCru
Finish	Stainless Steel
°Energy consumption (kWh/yr)   24hr	°130   0.356
△ Bottle capacity (750ml Bordeaux)	18
Safety glass door	•
MagicEye control system   Display	SoftTouch   LCD
Digital temperature display	Internal
Tinted glazed door	Double
Temperature zones	1
Temperature range (°C) Min   Max °C	5   20
Suitable for ambient temperature Min   Max °C	18   43
Interior light	Dimmable LED
Hand crafted beech wood shelves	2
Shelves mounted on telescopic rails	•
Base shelves	1
Recirculated air cooling	•
Fresh air supply via activated charcoal filter	1
Child proof lock (control panel)	•
Reversible door hinges	•
Compressors	1
Door open warning signal	•
Temperature alarm	•
Malfunction warning signal	•
Ventilation switch	•
Automatic defrosting	•

## Technical Information

Default hinge	Right
Gross weight (kg)   Net weight (kg)	32   30
Height (mm)	450
Width (mm)	560
Depth (mm)	550
Voltage (V)   Rated Current (A)	220-240   0.5
Made In	Austria

KEY: BI = Built-In, ° = Measurements taken at +25°C ambient and +12°C interior temperature tested by Liebherr Germany (not to Australian standards), △ = Based on Bordeaux 750ml bottle - capacity may vary depending on bottle shape and size. Door hinging either right or left hand must be nominated for this model.

Whilst every effort is made to ensure all specifications and information in this flyer are correct at time of printing, Andi-Co Australia Pty. Ltd. reserve the right to make changes without notification. Where actual appliance measurements, specifications and ratings are crucial, we recommend that the actual appliance installation instructions that accompany each appliance be checked. Andi-Co Australia will not be liable for any loss.