

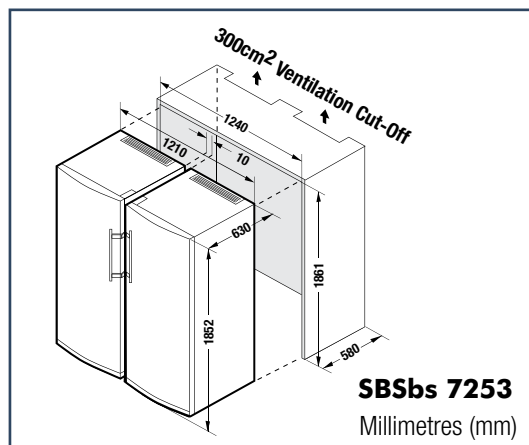
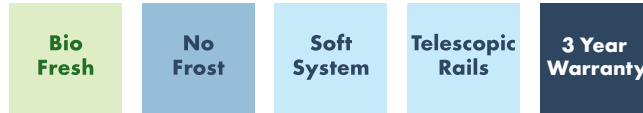
**SIDE BY SIDE COMBINATIONS**

**SBSbs 7253**



**LIEBHERR**

Quality, Design and Innovation



Whilst every effort is made to ensure all specifications and information in this flyer are correct at time of printing, Andi-Co Australia Pty. Ltd. reserve the right to make changes without notification. Where actual appliance measurements, specifications and ratings are crucial, we recommend that the actual appliance installation instructions that accompany each appliance be checked. Andi-Co Australia will not be liable for any loss.

Model	SBSbs 7253*	
*Side by Sides comprised of two models	SGNbs 3010	SKBbs 4210
Type Freestanding (FS)   Finish	FS   BlackSteel	FS   BlackSteel
Energy consumption (kWh/yr)   Star rating	310   3.5	252   3.0
Compressors	1	1
Total capacity litres (L) - Gross   Net	304   261	403   364
Refrigerator gross (L)   Refrigerator Net (L)	-	277   247
Freezer gross (L)   Freezer net (L)	304   261	-
BioFresh gross (L)   BioFresh net (L)	-	126   117
MagicEye control system   Display	SoftTouch   LCD	SoftTouch   LCD
Child proof setting for display & temp.	•	•
LED standard lighting	•	•
SlimLine handle - integrated opening device	•	•
SoftSystem hinge - assists closure	•	•
Door open warning signal	•	•
Temperature alarm	•	•
Malfunction warning signal	•	•

### Refrigerator Features

BioFresh drawers on telescopic rails	N/A	3
SuperCool	N/A	•
GlassLine shelves	N/A	•
Elegant holding columns	N/A	•
Removable VarioBoxes	N/A	•
Bottle shelf   Egg tray	Both N/A	-   -
Automatic refrigerator defrosting	Both N/A	•

### Freezer Features

Freezer defrosting	Frost Free	N/A
FrostSafe system with transparent drawers	•	N/A
Freezer drawers   Ice cube drawers	8   0	N/A
SuperFrost	•	N/A
VarioSpace	•	N/A
24hr freezing capacity (kg)	20	N/A
Cold storage accumulators	2	N/A
IceMaker	-	N/A
Ice cube capacity (kg/24hr)	-	N/A
Ice cube max. (kg)	-	N/A
Stainless steel hose supplied (m)	-	N/A

### Technical Information

Default hinge	Left	Right
Voltage (V)   Rated current (A)	220-240   1.3	220-240   1.2
Made In	Germany	Germany

KEY: FS = Freestanding, N/A = Not Applicable, \* = Freestanding side by sides consist of two Liebherr models. These models can be purchased separately. Cavity clearance for freestanding units please allow min. 50 mm above the unit if there is no ventilation cut-out.