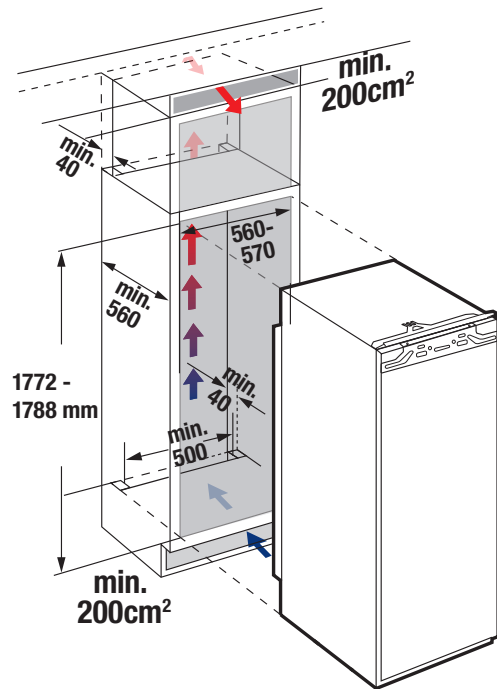
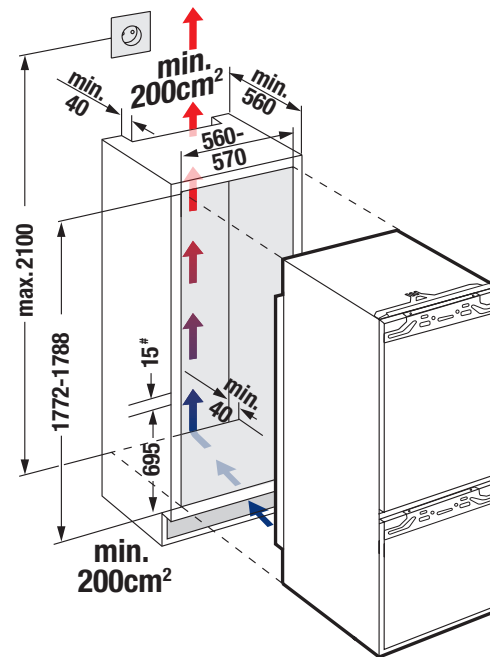


VENTING ABOVE CUPBOARD

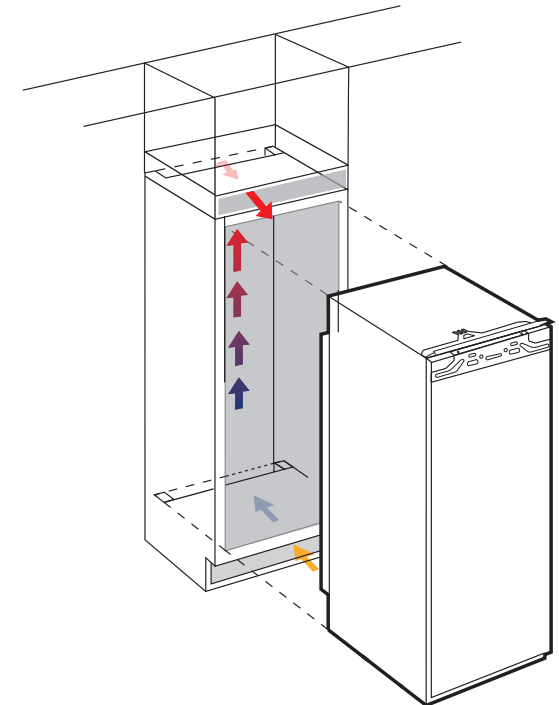


VENTING INTO CEILING SPACE*



ICNh and ICBNh door gap location

VENTING AT TOP OF UNIT



Figures 1, 2 and 3 represent the alternate ways that Liebherr integrated appliances can be installed to ensure correct ventilation requirements are achieved. Arrows denote airflow from ventilation entry to exit point. The ventilation options are applicable to the following models: SIGN 3576, SIKB 3550, EWTdf 3553, ICNh 5123, ICNh 5133, ICNh 5173, ICBNh 5173 and Project Only Models ICNh 5103, SIKB 3520 & SIGN 3524.

* Ceiling spaces and bulkheads must be well ventilated.