

BUILT-IN DUAL ZONE WINE CELLAR

EWTdf 3553



NEW
Stainless Steel
Frame & Handle
Available!

Part #	Description
39901573	Stainless Steel Frame & Handle



LIEBHERR



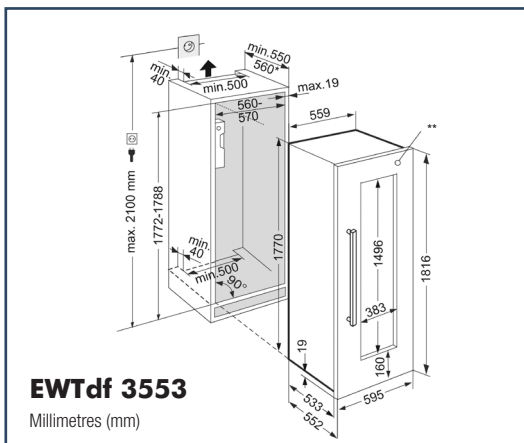
Model	EWTdf 3553
Type Category	BI Vinidor
Finish	Own Cabinetry
°Energy consumption (kWh/yr) 24hr	162 0.443
△ Bottle capacity (750ml Bordeaux)	80
Safety glass door	•
MagicEye control system Display	SoftTouch LCD
Digital temperature display	Internal
Tinted glazed door	Triple
Temperature zones	2
Temperature range (°C) Min Max °C	5 20
Suitable for ambient temperature (°C) Min Max	10 43
Interior light	Dimmable LED
Hand crafted beech wood shelves	9
Shelves mounted on telescopic rails	8
Presentation shelf	•
Base shelves	2
Recirculated air cooling	•
Fresh air supply via activated charcoal filter	1
Child proof lock (control panel)	•
SoftSystem hinge - assists door closure	•
Reversible door hinges	•
Key lock	N/A
Label holders	•
Compressors	1
Door open warning signal	•
Temperature alarm	•
Malfunction warning signal	•
Ventilation switch	•
Adjustable height	•
Automatic defrosting	•
Optional extra stainless steel frame and handle	• Item Code: 39901573

Technical Information

Default hinge	Right
Gross weight (kg) Net weight (kg)	98 88
Voltage (V) Rated current (A)	220 - 240 / 1.0
Made in	Austria

KEY: BI = Built-In, ° = Measurements taken at +25°C ambient and +12°C interior temperature tested by Liebherr Germany (not to Australian standards), △ = Based on Bordeaux 750ml bottle - capacity may vary depending on bottle shape and size.

* Please note: the Stainless Steel Frame & Handle pictured on the EWTdf 3553 wine cellar are not included when purchasing the appliance. They are available as an optional extra at an additional charge.



Whilst every effort is made to ensure all specifications and information in this flyer are correct at time of printing, Andi-Co Australia Pty. Ltd. reserve the right to make changes without notification. Where actual appliance measurements, specifications and ratings are crucial, we recommend that the actual appliance installation instructions that accompany each appliance be checked. Andi-Co Australia will not be liable for any loss.