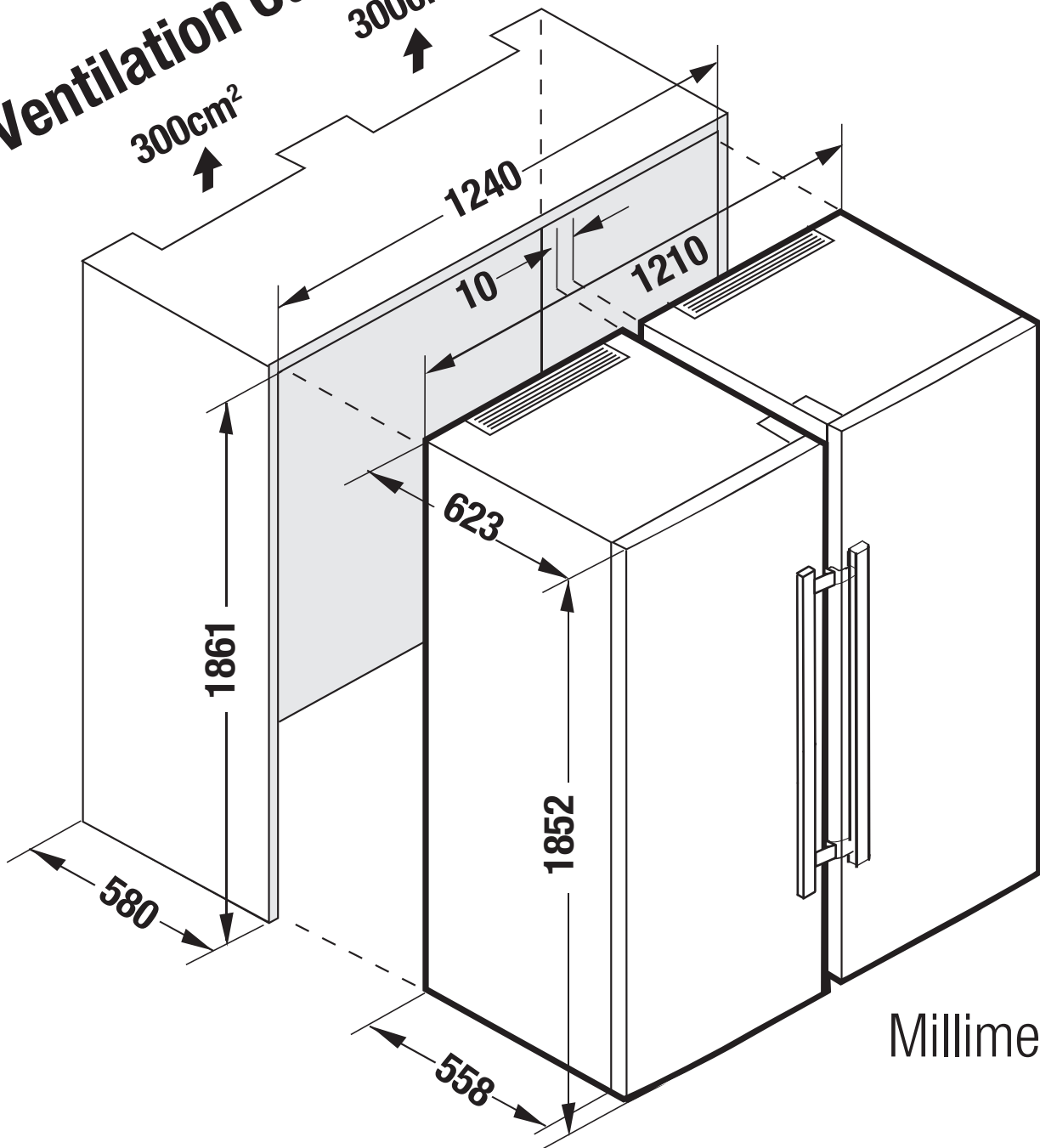


Ventilation Cut-Outs



Millimetres (mm)