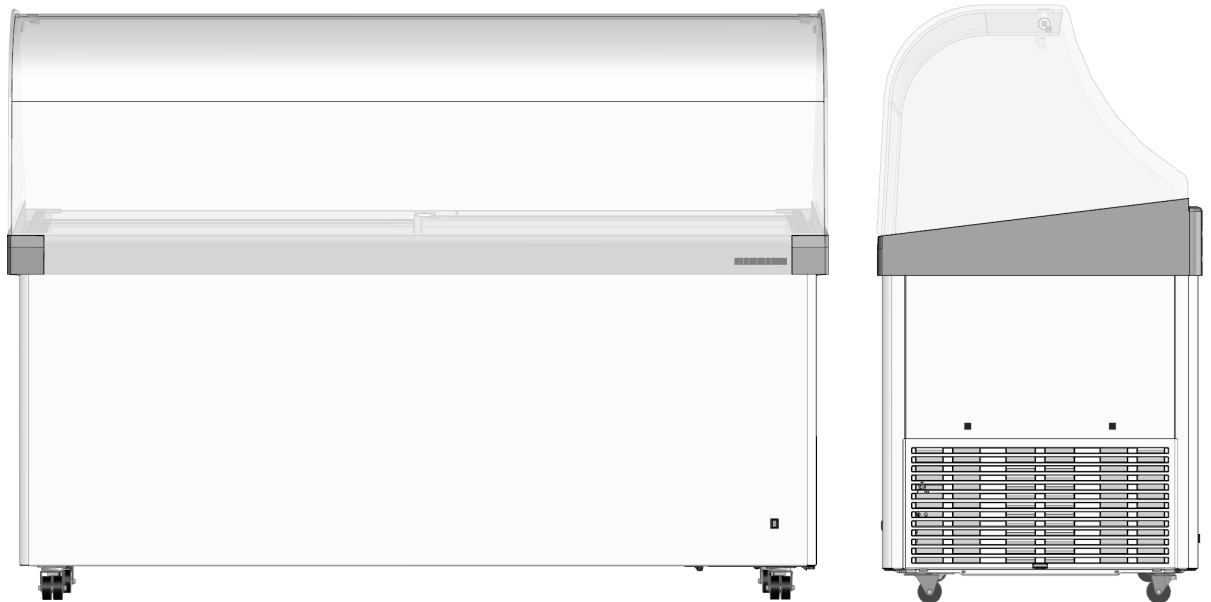


# LIEBHERR

## Installation Guide

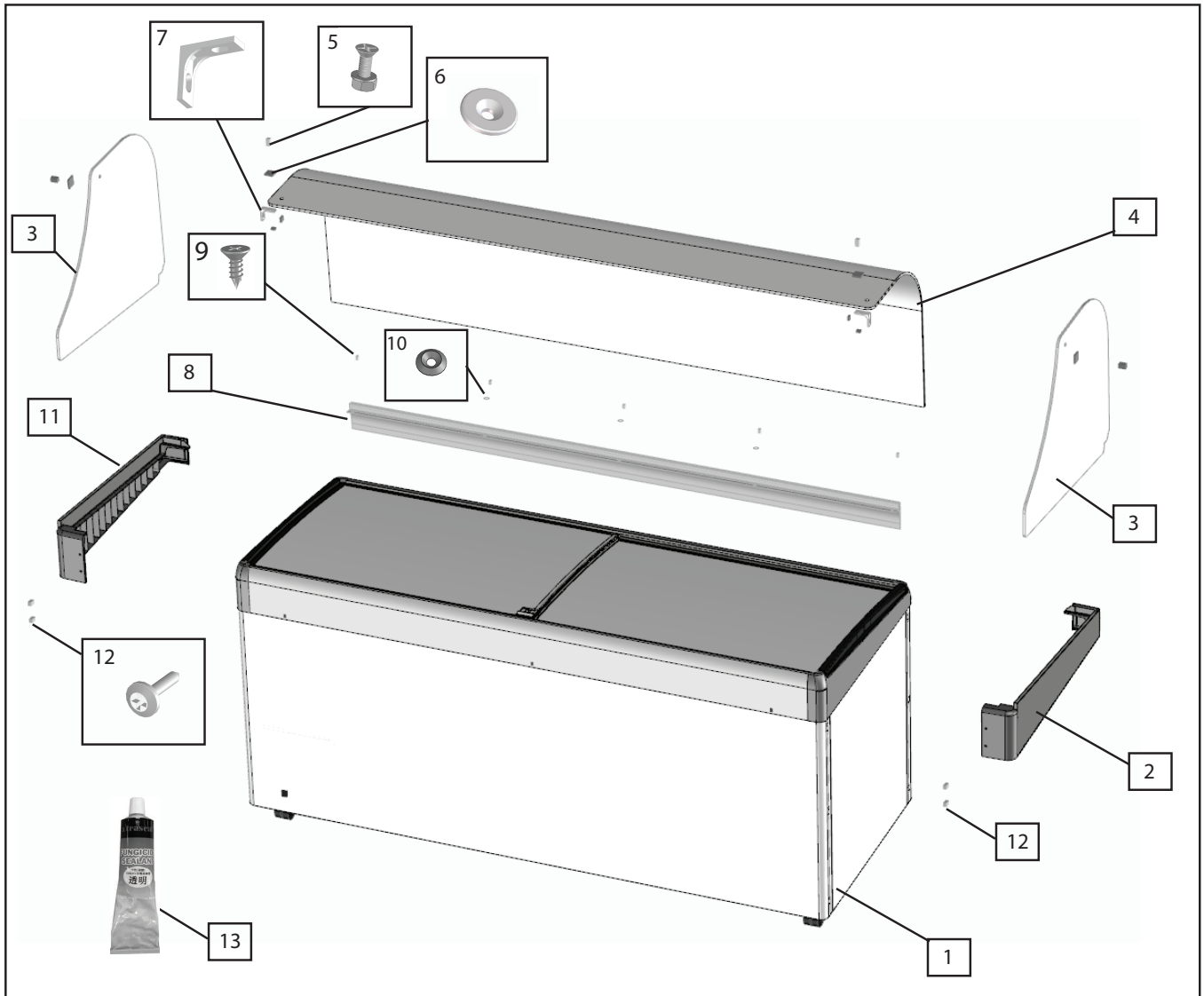


Canopy  
EFI3503, EFI3553, EFI 4803, EFI4853

7084 820-01



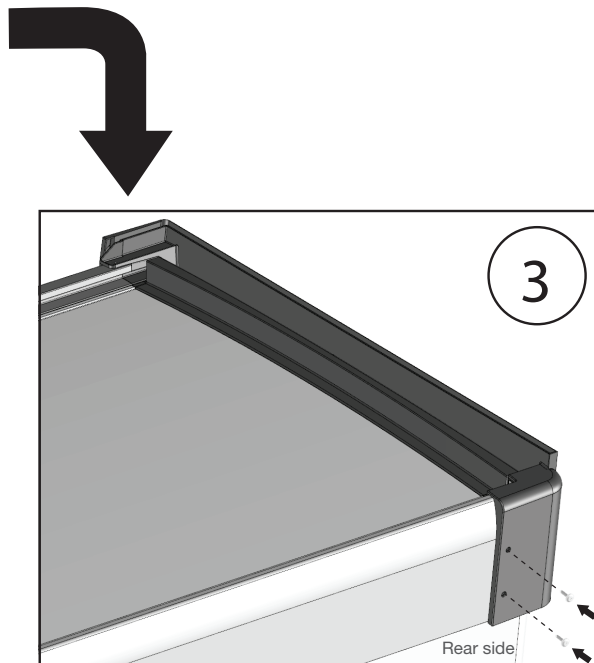
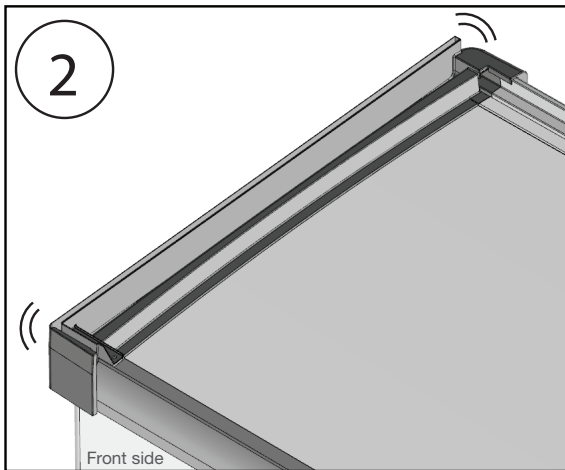
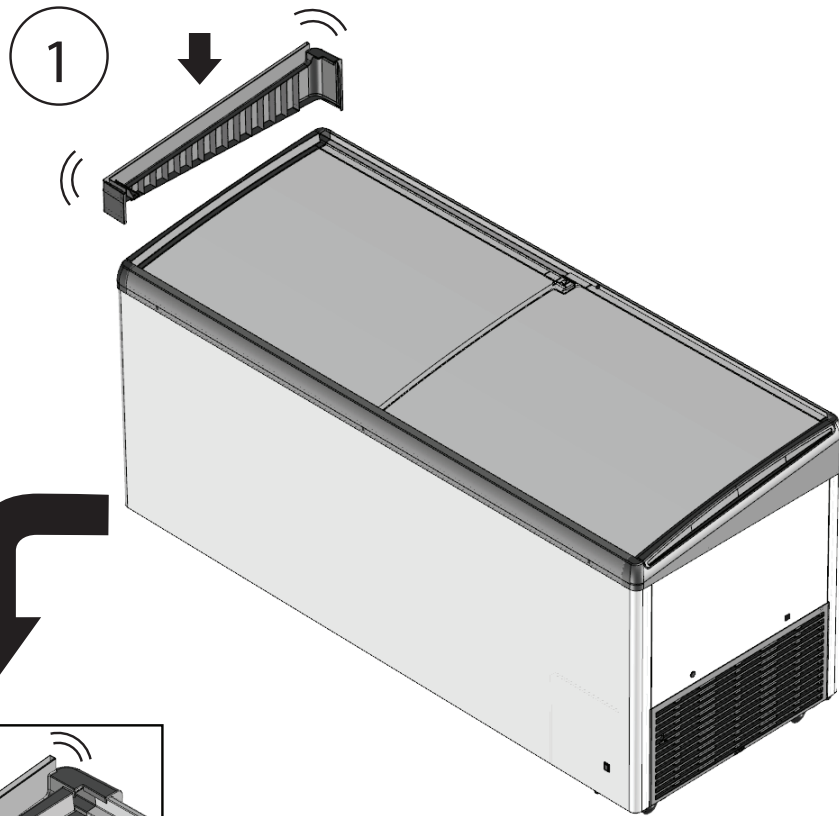
## Chest Freezer and Glass Canopy Part list



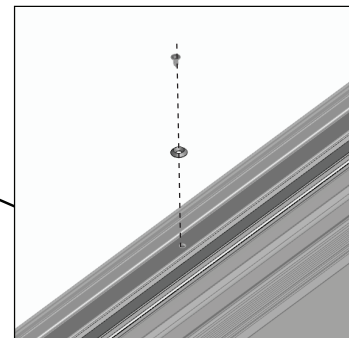
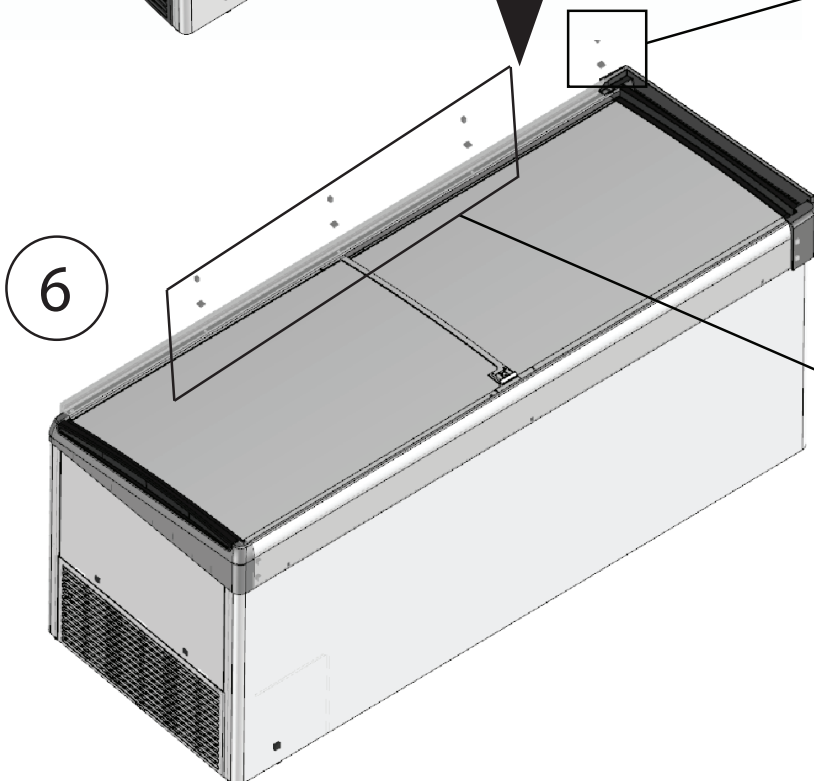
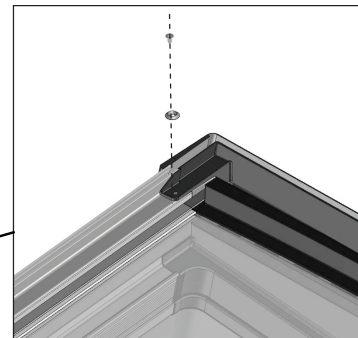
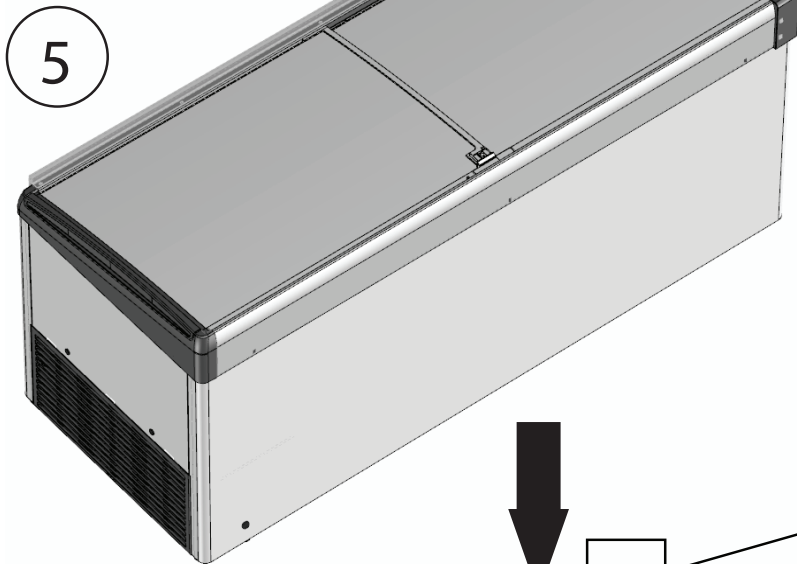
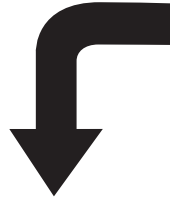
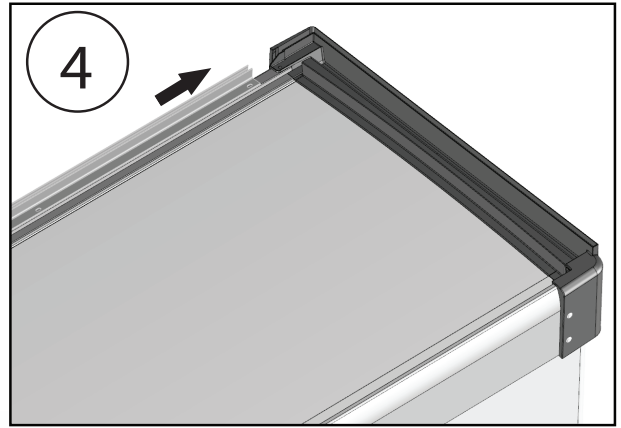
No	Parts	QTY	Article No
1	CHEST FREEZER CABINET	1	N/A
2	SIDE FRAME LEFT	1	7413009
3	SIDE GLASS	2	7275007
4	MAIN GLASS	1	7275011
5	SCREW + NUT + WASHER M6	4	4200708
6	BUSH	4	7434739
7	L-SUPPORT	2	7432711
8	ALUMINUM FRAME	1	7030025
9	CSK SCREW (SELF DRILLING)	5	4028000
10	CSK WASHER	5	4200031
11	SIDE FRAME RIGHT	1	7413011
12	SCREW (SELF DRILLING #8)	4	4099721
13	SILICON ADHENSIVE	1	8112724

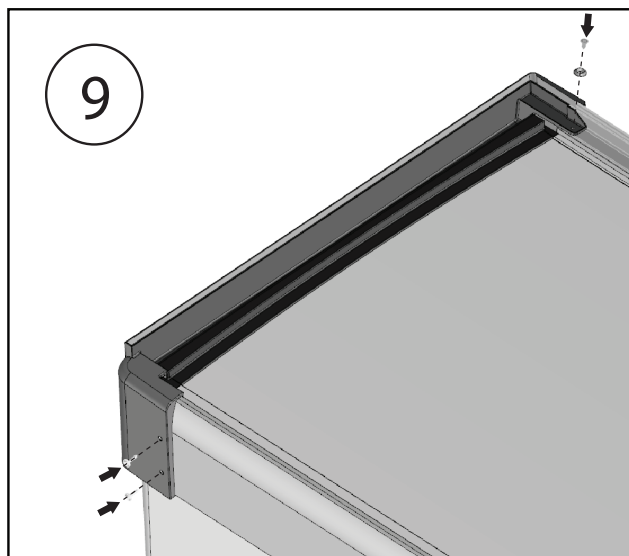
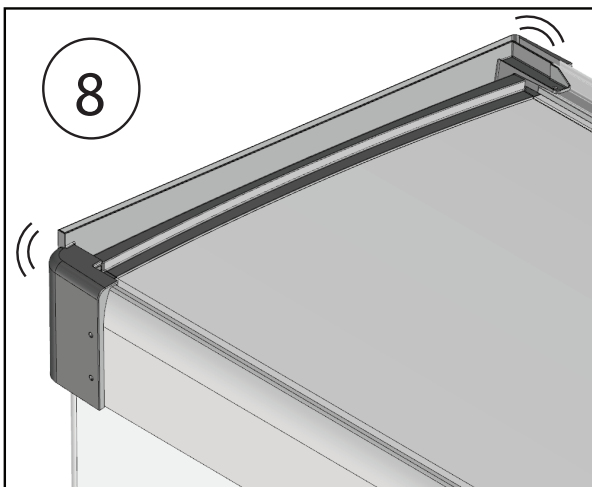
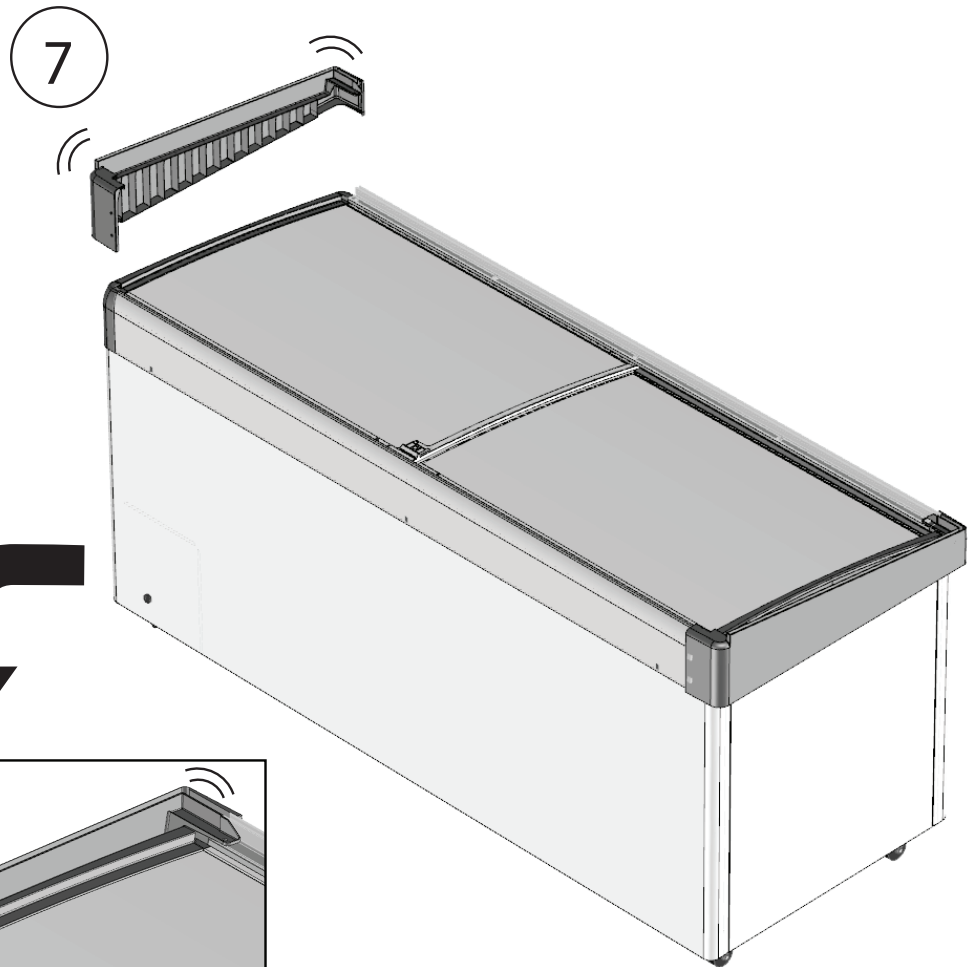
### **Important!**

The installation of this accessories may required minimum 2 persons. Mishandling of parts may cause injury or damages to the parts. Use of protective equipment like glove and eye protector is strongly advised

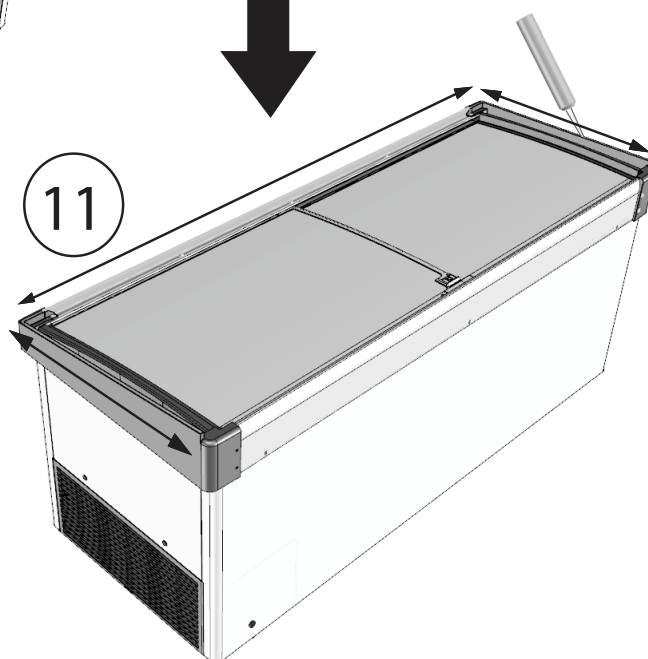
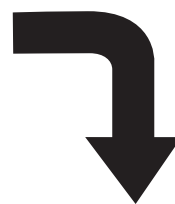
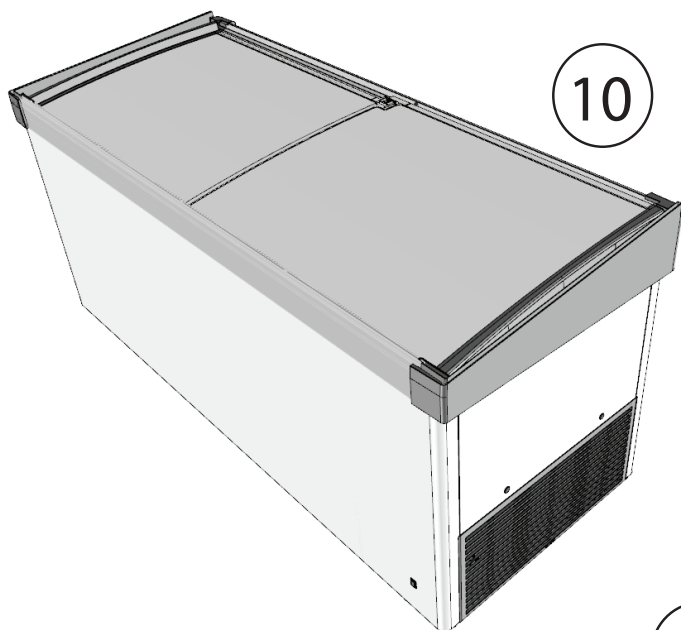


Secure the side frame Left  
by screw (Self drilling #8)  
tighten completely  
by powered screwdriver.

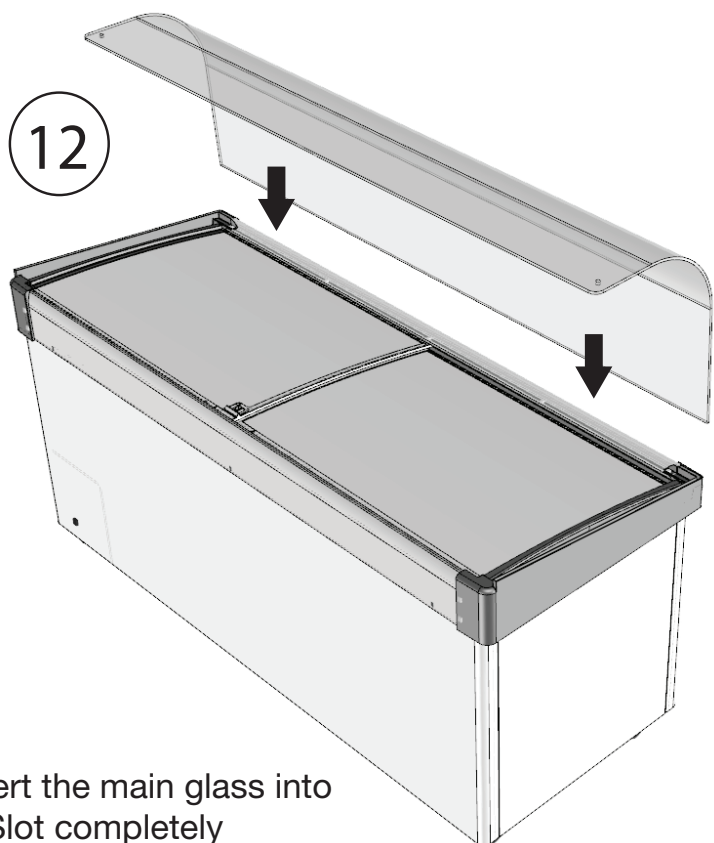
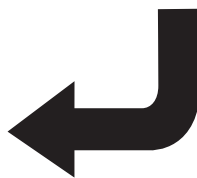




Install the side frame right  
and secure by screw.

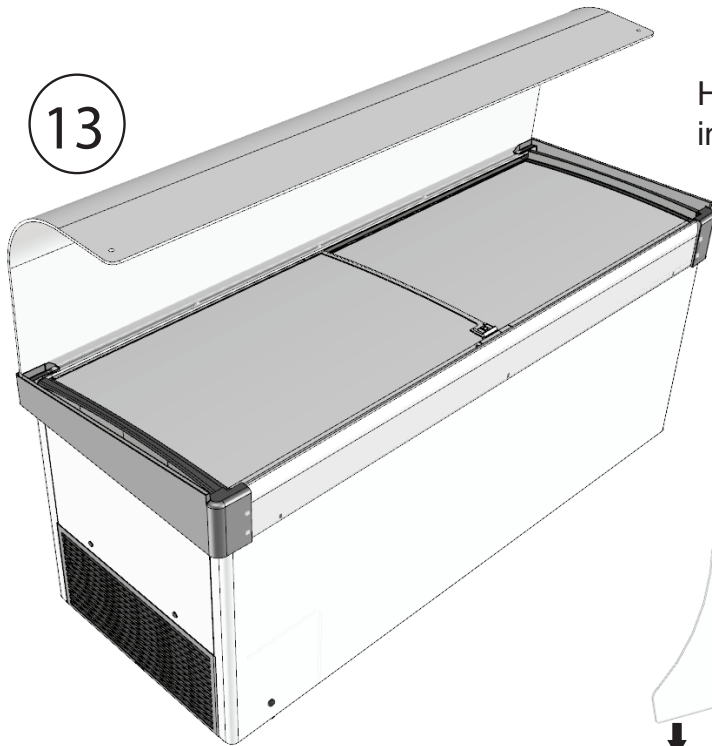


Apply Silicon Clear throughout the U-slot of the assembled frame



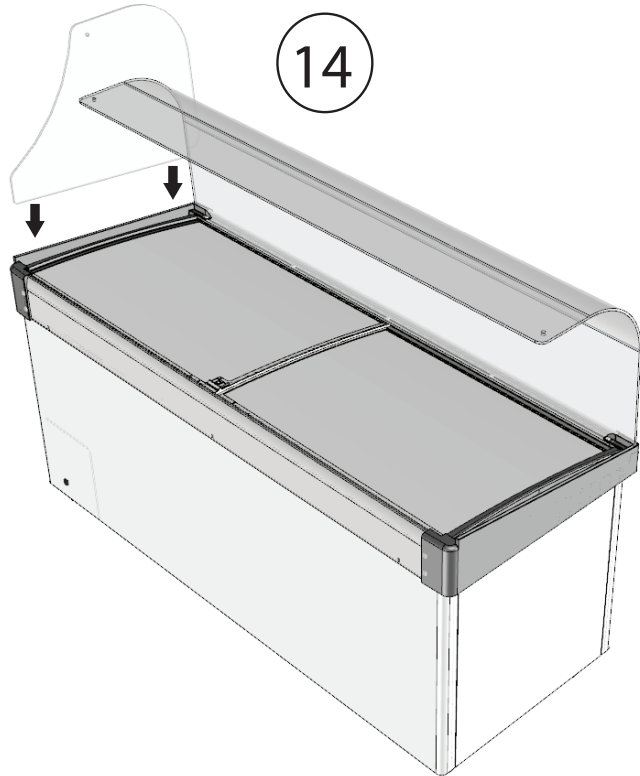
Insert the main glass into U-Slot completely

13

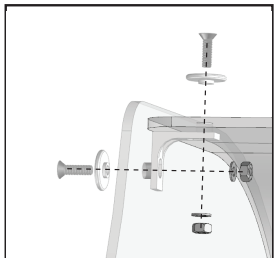


Hold the main glass and install the side glass completely.

14

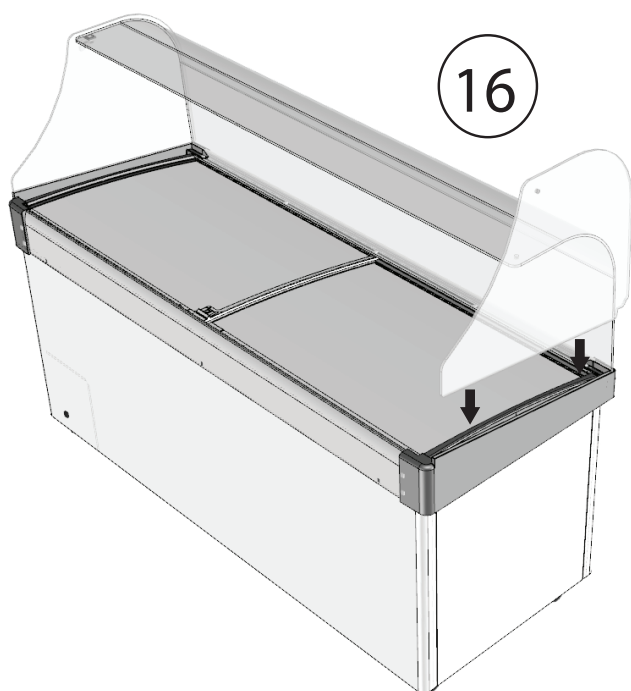


15

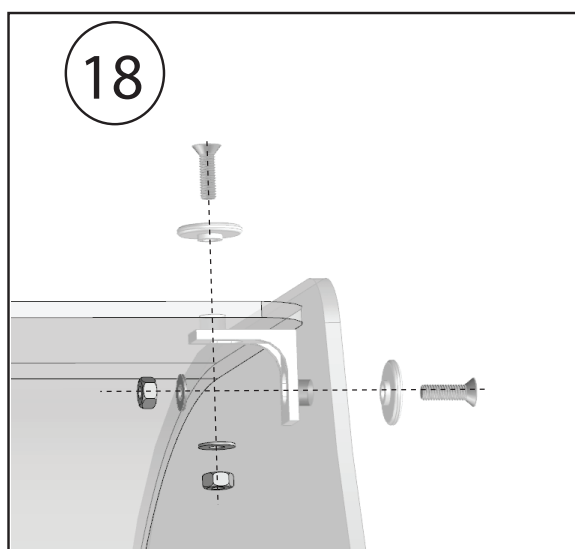
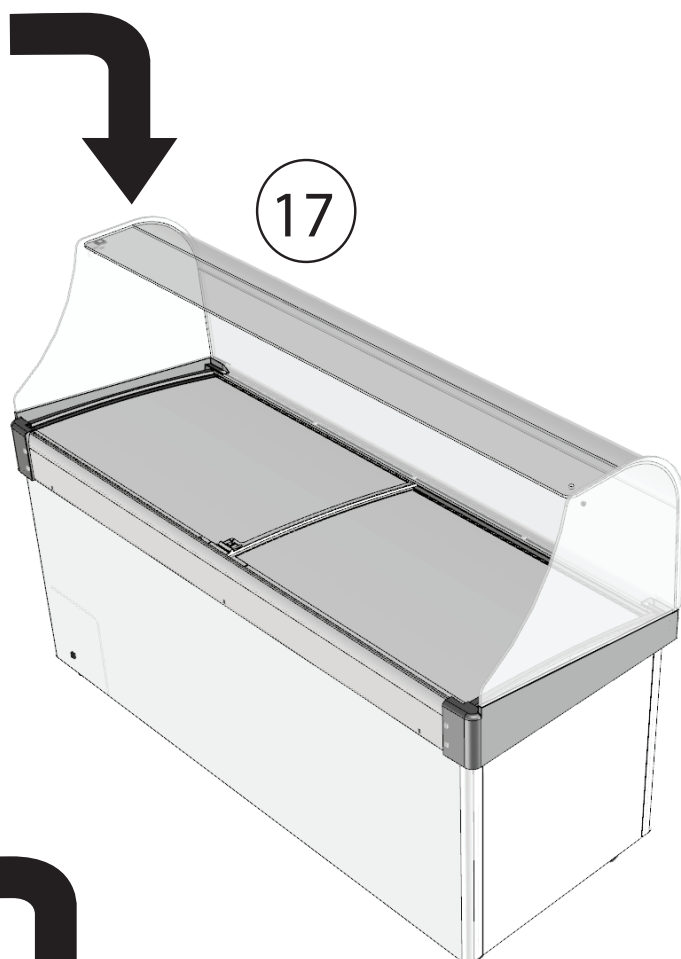


Secure the main glass and side glass with L support, screws, bushes, washers and nuts.

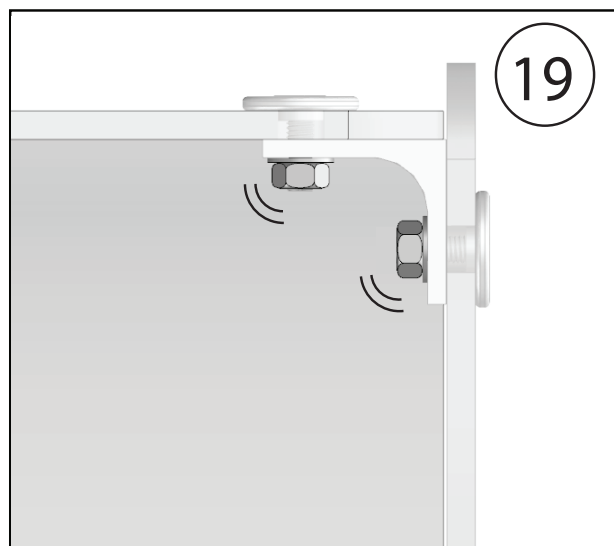




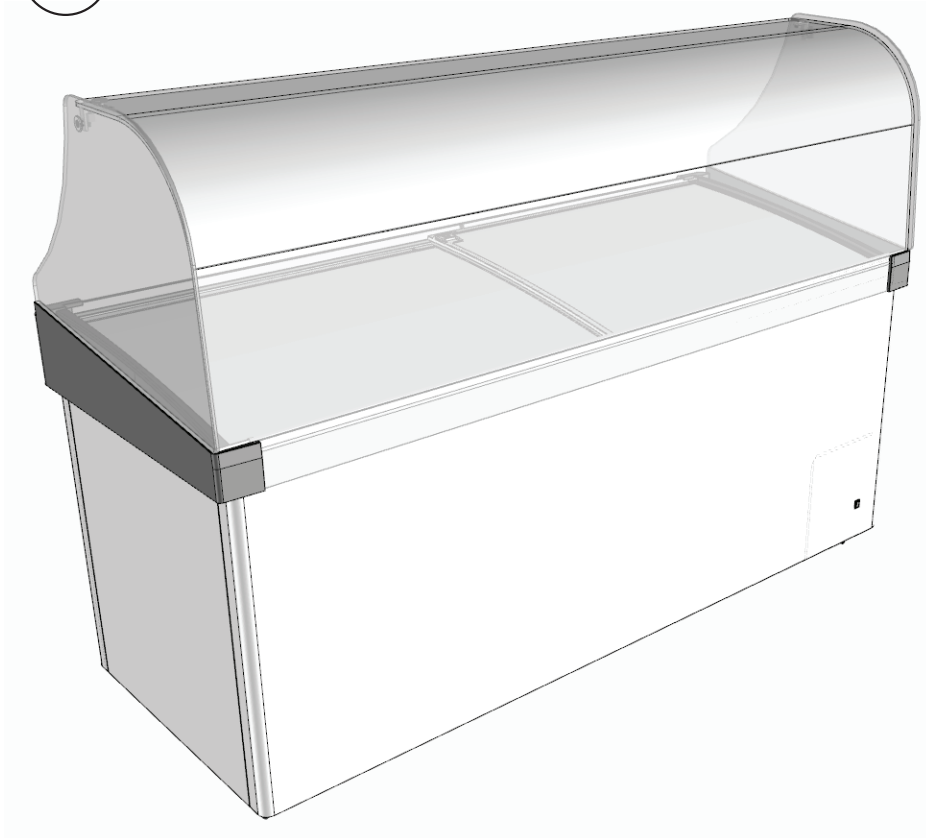
Repeat the same method on another side glass



Repeat the same method to do this step to other sides.



20



The installation of canopy is completed!



**Liebherr Appliances Kluang Sdn Bhd** (153177-U)

No.7 Jln Firma 2 , Kaw.Perind.Kluang II, KM7, Jln Mersing, 86007 Kluang, Johor, West Malaysia.  
[www.liebherr.com.my](http://www.liebherr.com.my)