

**ISTRUZIONI PER L'INSTALLAZIONE, LA MANUTENZIONE  
E L'USO DELLA CAPPA**

**INSTALLATIONSANWEISUNG, WARTUNG  
UND VERWENDUNG DER DUNSTABZUGSHAUBE**

**INSTRUCTIONS FOR INSTALLATION, MAINTENANCE  
AND USE OF KITCHEN HOOD**

**INSTRUCTIONS POUR L'INSTALLATION,  
L'ENTRETIEN ET L'UTILISATION DE LA HOTTE**

**INSTRUKTIES VOOR INSTALLATIE, ONDERHOUD  
EN GEBRUIK VAN DE KAP**

**INSTRUCCIONES PARA LA INSTALACION,  
EL MANTENIMIENTO Y EL EMPLEO DE LA CAMPANA**

**HX4126-im1**



## INSTRUCTIONS FOR INSTALLATION, MAINTENANCE AND USE OF KITCHEN HOOD MODEL G 2000

### GENERAL INFORMATION.

Before installing and/or using the kitchen hood, read all these instructions carefully.  
Before installing the hood, make sure that the mains voltage (V) and frequency (Hz) ratings indicated on the name plate (situated on the inner side of the unit) correspond to the mains power supply voltage and frequency values available at the site of installation.

### NAME AND RATINGS PLATE

The name and ratings plate is situated on the inner side of the unit.

### INSTALLATION

All the accessories needed for installing the cooker hood can be found inside the unit. The hood is convertible, meaning that it can be used either as a SUCTION HOOD or as an AIR PURIFIER.

If the unit is to be used as a SUCTION HOOD, connect the outlet (125 mm diameter) to an air discharge duct of at least 150 cm<sup>2</sup> cross-section area and leading directly to the outside environment. The bottom part of the hood should be no less than 70 cm from the cooker top.

UNDER NO CIRCUMSTANCES MUST THE HOOD BE CONNECTED TO CHIMNEY FLUES THAT ARE USED FOR OTHER NON-ELECTRIC APPLIANCES (bathroom boilers, central heating burners, fireplaces, etc.).

### ELECTRICAL WIRING

Connect the unit to the mains power supply after having checked the voltage and frequency ratings of the unit (stamped on the name plate situated on the inner side of the unit). This should be done by means of a suitably rated power plug or by connecting the power cable to a single-toggle power switch with an open-contact distance of at least 3 mm. If provided with a plug, connect the power cable to a power socket. **ONLY FOR U.K.: WARNING: THIS APPLIANCE MUST NOT BE EARTHED.** This appliance must be connected by competent person, using fixed wiring via a **DOUBLE POLE SWITCHED FUSED SPUR OUTLET.**

We recommend that the appliance is connected by a qualified electrician, who is a member of the N.I.C.E.I.C. and who will comply with the I.E.E. and local regulations.

The wires in the mains lead are coloured in accordance with the following code: Blue = Neutral, Brown = Live.

As the colours of the wires in the mains lead for the appliance, may not correspond with the coloured markings identifying the terminals in your spur box, proceed as follows:

- 1) The wire which is coloured blue must be connected to the terminal marked N (Neutral), or coloured Black.
- 2) The wire which is coloured brown must be connected to the terminal marked L (Live), or coloured Red. The manufacturer declines all responsibilities in the event of failure of the installer to comply with all the safety standards currently in force and considered necessary for safe operation of the unit and proper operation of the electric wiring system.

### OPERATION OPTIONS

#### 1) External evacuation

The hood has an exhaust opening at the top, to use this outlet apply the collar (A) supplied in the accessory bag (Fig. 2). Connect the collar using a 125 mm diameter hose to the fume and odour exhaust outlet which must have at least a 150 sq. cm. cross section. If there is not an exhaust outlet, make a sufficient hole in the wall to fix an anti-rain/wind air lock having a cross section of at least 150 sq. cm and connect, using a hose, to the exhaust fitting of the appliance.

#### 2) Internal purification

When it is not possible to connect the hood to an external exhaust outlet or you want to avoid heat loss from the room, the hood can be used for internal purification. To use the hood for internal purification it is essential to use an activated carbon filter to absorb cooking fumes. The filter must be changed according to how often it is used or anyway every six months.

### INSERTING THE ACTIVE CARBON FILTER

Disconnect the power cable from the socket. If the connection is permanent, turn the two-pole switch to the OFF position (0). Remove the metal grease filter (fig. 3). Insert the carbon filter, making sure that the holes on this fit over the reference pegs of the bracket support and rotate in an anti-clockwise direction until it stops turning. Replace the metal grease filter.

### ASSEMBLY

With the aid of these instructions and the accessories contained in the packet inside the hood, this can be fitted under a hanging kitchen unit or decorative element. Position the hood at 70 cm from the hob. To fit the recessed hood, make holes in the base of the hanging unit or decorative element, fasten the hood to the metal support with the screws and the assembly obtained to the base of the unit with the other screws provided (fig. 2, fig. 2.2). If the base is already provided for this, fit the hood directly to it with the screws provided (fig. 2, fig. 2.1).

### CONTROL PANEL

The control panel (Fig. 8) is situated on the front of the hood and includes:

- a 4-position selector switch to control the fan motor (O = Off, 1st, 2nd & 3rd speed)(A);
- a light switch (B).

### MAINTENANCE

Always make sure that the power supply cable is disconnected from the power socket or that the mains power switch is turned OFF before carrying out any maintenance operations whatsoever.

#### a) Cleaning

Clean the external parts with non-corrosive liquid detergent; do not use abrasive powders or brushes.

#### b) Replacing the light bulb

Make sure the appliance is disconnected from the power supply before replacing the bulb; extract the metal grease filter (fig. 3) and replace the bulb using only olive type 40W max E14 globes. Replace the metal grease filter.

#### c) Replacing the carbon filter

See paragraph "Fitting the carbon filter".

#### d) Cleaning the metal grease filter

According to use and at least every three months the metal filter must be extracted (fig. 3) and washed in the dishwashing machine or in hot water using normal detergent for dishes. Rinse and dry the metal grease filter accurately before replacing it.

### CAUTION

Make sure that the cooker burners are always covered, in order to prevent the filter on the hood from overheating.

Never leave pans unattended on the cooker whilst frying, as the oil in the pan may overheat and catch fire. Oils used several times tend to increase the risk of spontaneous combustion.

Never prepare flambé-type dishes with flames rising up to the hood.

Never operate the suction hood with an external discharge duct in rooms where there are other non-electric heating units in operation (i.e. gas or wood heaters, boilers and burners) unless suitable provision is made for airing to the room.

If the hood is used in the suction mode, make sure that the discharge pipe leading outside is clear, especially if the hood has not been used for a long period of time.

Pay strict attention to the local regulations referring to the discharge of air when operating the hood in suction mode.

All relative recommendations are to be observed with utmost care in order to prevent possible fire hazards.

THE MANUFACTURER DECLINES ALL RESPONSIBILITIES IN THE EVENT OF FAILURE TO COMPLY WITH THE INSTRUCTIONS LAID OUT IN THIS BOOKLET WITH REFERENCE TO INSTALLATION, MAINTENANCE AND PROPER USE OF THE KITCHEN HOOD.



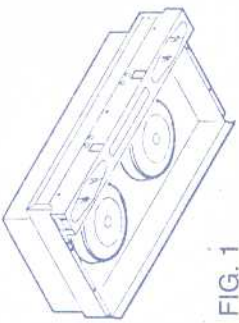


FIG. 1

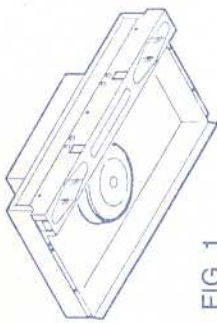


FIG. 1

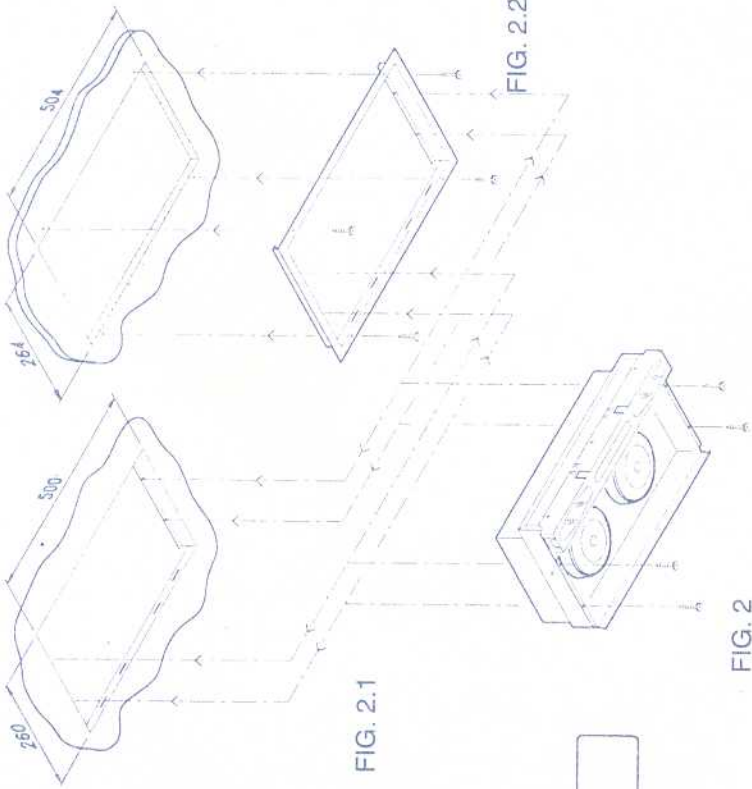


FIG. 2.1

FIG. 2.2

FIG. 2

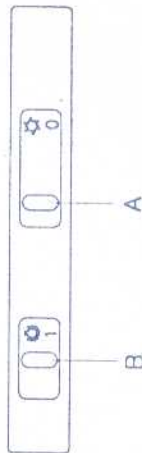


FIG. 4

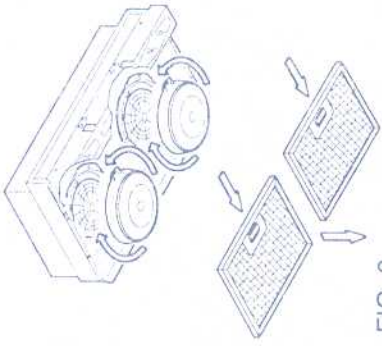


FIG. 3

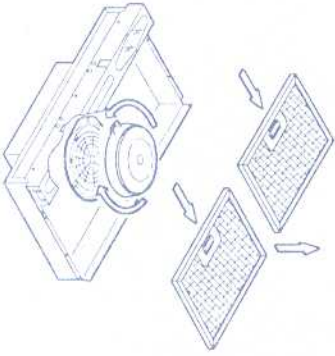


FIG. 3

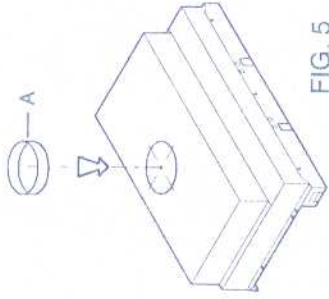


FIG. 5

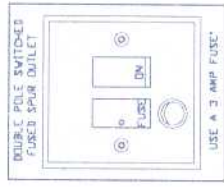


FIG. 6