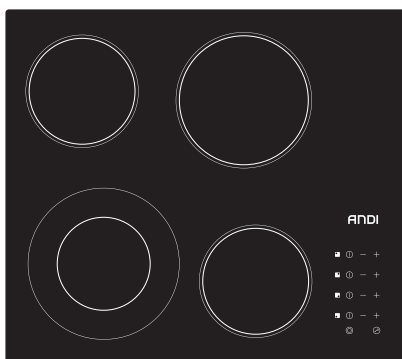


ANDI

Instruction Manual CERAMIC COOKTOP



Model:ACHF643

Dear customer,
Thank you for purchasing the ANDI ceramic cooktop.
Our product can serve you many years to your satisfaction.
Please read this instructions manual carefully before using and installation.
Keep it in a good place after reading for future reference.

Product Introduction

ANDI ACHF643 microcomputer ceramic cooktop can meet different kinds of cuisine demands because of radiant heating elements, micro-computerized control and multi-power selection, really the optimal choice for modern families.

ANDI ceramic cooker hob centres on customers and adopts personalized design. The hob has safe and reliable performance, and ease of use, enabling to fully enjoy the pleasure from life.

Working Principle

Andi ACHF643 microcomputer ceramic cooktop directly employs radiant element heating, and uses power regulation with the microcomputer controlling different heating on/off time of the elements.

Safety

- **High temperature protection**

The temperature sensor mounted on the elements monitors the temperature inside the cooktop. When an excessive temperature is detected, the cooktop power output will be stopped.

Safety

- **Residual heat indicators**

After using the hob, residual heat remains in the heating area. The power display shows the code "H", warning the heating area is still hot.

- **Auto shut down protection**

During the hob use, it is shut off automatically when the default timing reach by the program if without operating. If several heating zones work simultaneously, the hob will be automatically shut off when the heating area reaches it's default timer. The default working timer for various power levels are shown in the table below:

Power level	1	2	3	4	5	6	7	8	9
Default working time(hour)	10	8	7	6	5	4	3	2	1

Installation

- **Selection of installation equipment**

Drill holes on the table surface according to the sizes shown in the drawing. For the purpose of installation and use, a minimum of 50 mm space shall be preserved around the hole.

Be sure the thickness of the table surface is at least 30mm. Please select heat-resistant table material to avoid larger deformation caused by the heat radiation from the hotplate.

As shown in Figure (1)

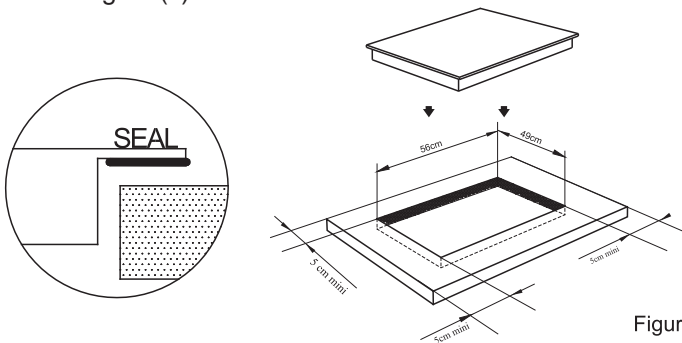


Figure (1)

- Under any circumstances, make sure the ceramic cooker hob is well ventilated and the air inlet and outlet are not blocked. Ensure the ceramic cooker hob is in good work state. As shown in Figure (2)

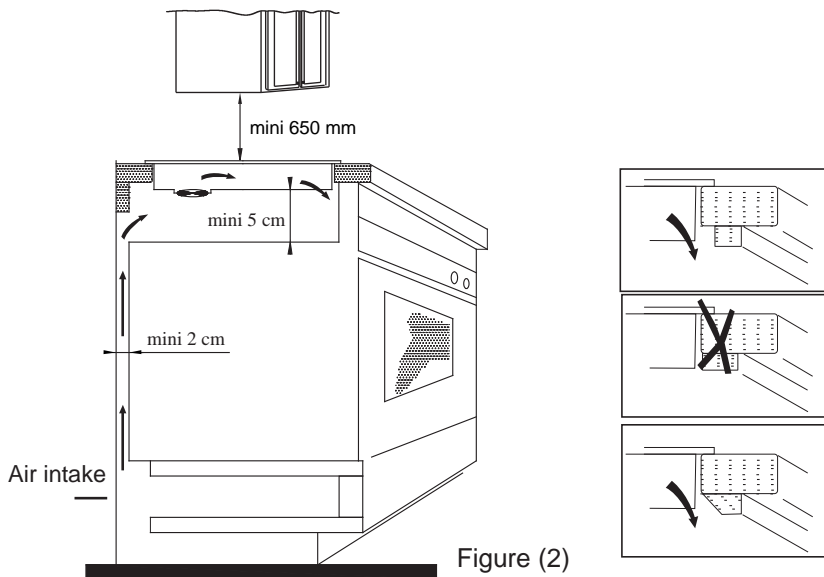
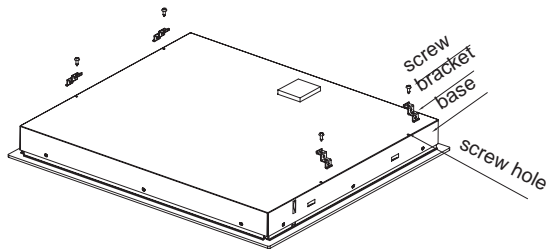


Figure (2)

Note: The safety distance between the ceramic hob and the cupboard above the hotplate should be at least 650mm.

- Fix the hob on the table by screw four brackets on the bottom of hob (see picture) after installation. Adjust the bracket position to suit for different table top thickness.



Cautions

1. The ceramic cooktop must be installed by qualified personnel or technicians. Please never conduct the operation by yourself.
2. The ceramic cooker hob shall not be mounted to cooling equipment, dishwashers and rotary dryers.
3. The ceramic cooktop shall be installed such that better heat radiation can be ensured to enhance its reliability.
4. The wall and induced heating zone above the table surface shall withstand heat.
5. To avoid any damage, the sandwich layer and adhesive must be resistant to heat.
6. A steam cleaner is not to be used.

Power line connection

The socket shall be connected according to the relevant standard or connected to a single-pole cut-out. The method of connection is shown in Figure (3):

Vol tage&f requency	Wire connection				
220-240V 50\60HZ	1 •	2 • L	3 •	4 • N	5 • ⏚
	Black&Brown		Gray&Blue Yellow/Green		
220-240V 2+2-N 50\60HZ	1 • L1	2 • L2	3 • N1	4 • N2	5 • ⏚
	Black	Brown	Gray	Blue	Yellow/Green

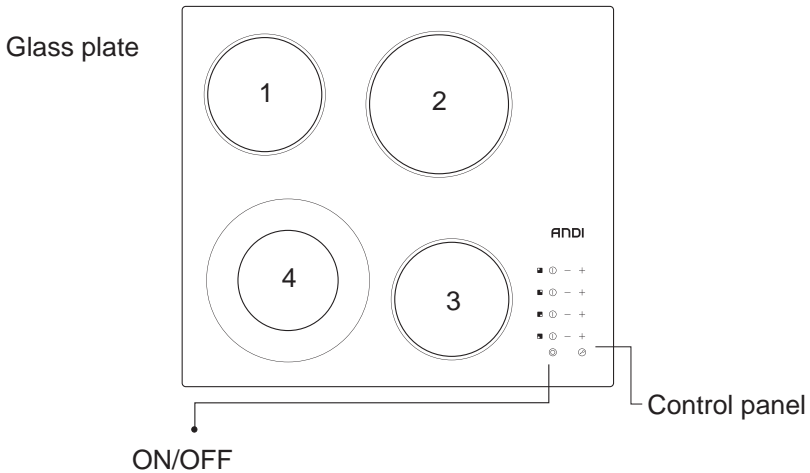
Figure (3)

If the cable is damaged or to be replaced, the operation must be carried out the by after-sale agent with dedicated tools to avoid any accidents. If the appliance is being connected directly to the mains an omnipolar circuit-breaker must be installed with a minimum opening of 3mm between contacts. The installer must ensure that the correct electrical connection has been made and that it is compliant with safety regulations.

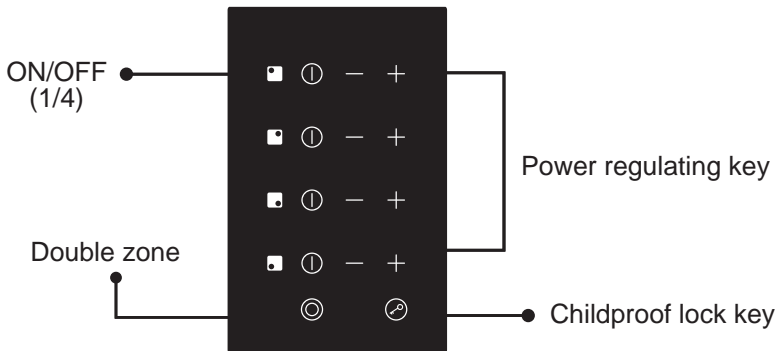
The cable must not be bent or compressed.

The cable must be checked regularly and replaced by authorised technicians only.

The ceramic cooker hob appearance



Schematic diagram of the control panel



Instructions for Use

Put the pot in the centre of the heating zone.

Preparation before using

After power on, a signal will sound, the four power indicator displays light up for 1 second then go out, indicating the ceramic cooker hob enters into standby mode.

Operation Instructions:

Touch the "ON/OFF" symbol for the corresponding heating zone where there is a pot on it, and the corresponding indicator displays "-". Then you can set the heat setting by touching the "+" or "-" symbol.

- Note: 1. In standby working mode, touch the "ON/OFF" symbol the heating zone will restore to the standby working mode if there is no heat setting within 2 minutes.
2. Every heating zone is independent each other.

Double zone function: If you want to use bigger heating zone, please touch the heating zone selection symbol when the hob is in working mode. You can select the size of the heating zone according to the size of the pot.

- Note: 1. This function is available only in the left front heating zone.
2. You can select the function from level 1 to level 9.
3. When the heating zone is in double loop working mode, the double loop indicator.

Childproof lock: To ensure the safety of children, the hob is provided with the function of childproof lock.

Activating the childproof lock: When the lock is deactivated, touch the "childproof lock" symbol to activate the childproof lock. However when in the locked position, the "stop" touch control has priority and cuts off the power to the hob. And the other buttons are disabled except the "stop" touch control button and the "Lock" button.

Deactivating the childproof lock: When the hob in the locking mode, you can deactivate the childproof lock by holding the "childproof lock" symbol.

The power of each heating zone are shown as follow:

Heating zone	1	2	3	4	
				Inner	outer
Power	1200W	1800W	1200W	1000W	1200W



ON/OFF

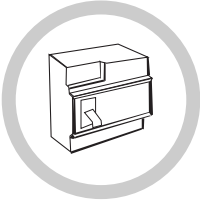


Double zone



Child safety

Safety Reminding and Maintenance



A dedicated power protection air switch with protection air switch must be incorporated in the fixed wiring in accordance with the wiring rules.



Never use the ceramic cooktop hob in high temperature environments such as near a gas stove or kerosene stove.



Do not put any detergents or flammable materials in the equipment installed under the ceramic hob.



Never have the cooktop to work without food inside, otherwise its operational performance may be affected and danger may happen.



For sealed foods such as canned goods, please do not heat them before opening their covers so as to avoid any dangers of explosion due to heating expansion.



If the supply cord is damaged, it must be replaced by the manufacturer, its service agent or similarly qualified persons in order to avoid a hazard.



Do not place rough or uneven appliances, which may damage the ceramic surface.



If the surface is cracked, switch off the appliance to avoid the possibility of electric shock.



Never wash the induction cooker with water directly to avoid danger.



Never have the ceramic hob working without food inside, otherwise its operational performance may be affected and danger may happen.



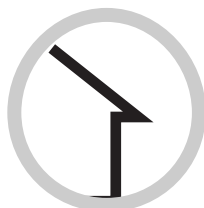
After being used for a long time, the corresponding heating zone of the ceramic cooker hob is still hot. Never touch the ceramic surface to avoid burning.



Keep electrical appliance out of reach from children or infirmed person. Do not let them use the appliances without supervision.



DISPOSAL: Do not dispose this product as unsorted municipal waste. Collection of such waste separately for special treatment is necessary.



Indoor use only.



Clean the ceramic cooker hob on a regular basis to prevent foreign matters from entering the fan thus influencing the normal operation.

Cleanness and Maintenance

You can easily clean the surface of the ceramic cooker hob if following the methods given in the table.

Type of contamination	Method of cleaning	Articles used for cleaning
Light	Clean with hot water and damp sponge	Cleaning sponge
Accumulation of dirt	Clean with hot water and abrasive sponge	Special cleaning sponge for ceramic glass
Rings and lime crumbles	Apply white vinegar to the polluted zone, then wipe it dry with soft cloth or a special article available in local markets	Special non-abrasive cleaner for ceramic glass
Melted aluminum or plastics	Use a scraper suitable for ceramic glass (to protect glass, a silicon product is preferred) to remove residuals	Special non-abrasive cleaner for ceramic glass

Hint: please disconnect power before the cleaning.

Maintenance Service Warranty

For any failure of the product, please contact the customer service center.

1. There is a 3 year guarantee with this ANDI brand ceramic hob.
2. The period of warranty shall start from the date on which the invoice is issued.
3. Any one of the following cases is without the warranty:
 - Damages caused by improper use, storage and maintenance of the consumer.
 - Damages caused by unauthorized disassembly and repair not designated by the company.
Model of invoice and model of product maintained are not in conformity or are altered.
 - Valid invoice can not be presented.
 - Damages caused by force majeure.
 - Using the ceramic cooker hob for commercial purposes.

Special Declaration

All the contents in this material have been subjected to careful check. For any mistake and omission in printing or misunderstanding of the contents, the company keeps the right of interpretation.

Addition: any technical improvement will be placed in the revised manual without notice.
