

Fig. 1

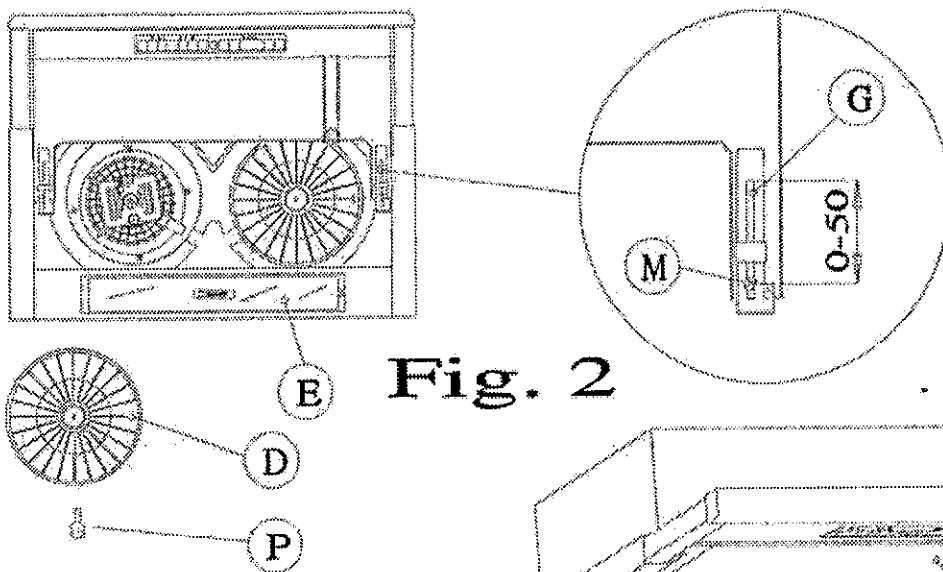


Fig. 2

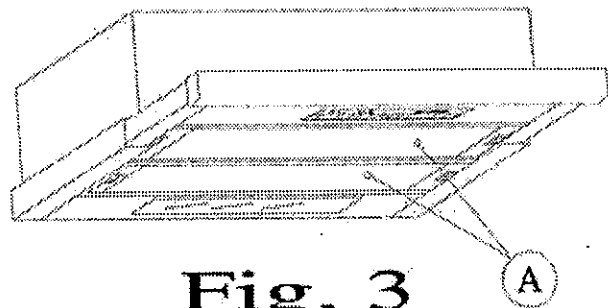


Fig. 3

Instruction on mounting and use

Consult the designs in the front pages referenced in the text by alphabet letters.

Closely follow the instructions set out in this manual. All responsibility, for any eventual inconveniences, damages or fires caused by not complying with the instructions in this manual, is declined.

Use

The hood is designed to be used either for exhausting or filter version.

Ducting version

The hood is equipped with a top air outlet **B** for discharge of fumes to the outside (exhaust pipe and pipe fixing clamps not provided). **Fig. 1**

Filter version

When there is no exhaust duct for venting outdoors, you can use a carbon filter.

The air is depurated by the filter and put again in the surrounding. To use the appliance in this version, proceed as follows:

- Open the grids "**A**"
- Insert the filter "**D**" (**Fig.2**)
- Reinstall the grids.

The air is vented outdoors by a duct \varnothing 120, passing through the wall units and connected to the connecting ring "**B**".

Installation

The minimum distance between the supporting surface for the cooking vessels on the hob and the lowest part of the range hood must be not less than 65cm from electric cookers and 65cm from gas or mixed cookers.

If the instructions for installation for the gas hob specify a greater distance, this must be adhered to.

Electrical connection

The electrical tension must correspond to the tension noted on the label placed inside the cooker hood. Connect the electrical plug, where provided, to the an easily accessible outlet in conformity with local standards in force. Where an electrical plug is not provided (*for direct connection to electrical network*) or is not easily accessible, place a standards approved bipolar switch that provide full disconnection under overvoltage category III conditions, in accordance with the wiring rules.

Attention: substituting the supply cable must be carried out by the authorised technical assistance service.

Mounting

This hood is designed for fitting in a cabinet or on some other support.

For fixing, use the 4 screws given with the hood "**C**".

Additional instructions for the montage

Box adjustment

The hood can be installed in cabinets with different depths, the front of the box must always be in line with the cabinet.

For alignment adjust the back stops of the box. For box adjustment, loosen screws "**M**" and slide square plates "**G**" as necessary and tighten screws "**M**". **Fig. 2**

Maintenance

Before performing any maintenance operation, isolate the hood from the electrical supply by switching off at the connector and removing the connector fuse.

Or if the appliance has been connected through a plug and socket, then the plug must be removed from the socket.

Cleaning

The cooker hood should be cleaned regularly (at least with the same frequency with which you carry out maintenance of the fat filters) internally and externally. Clean using the cloth dampened with neutral liquid detergent. Do not use abrasive products.

DO NOT USE ALCOHOL!

Grease filter

This must be cleaned once a month (or when the filter saturation indication system – if envisaged on the model in possession – indicates this necessity) using non aggressive detergents, either by hand or in the dishwasher, which must be set to a low temperature and a short cycle.

When washed in a dishwasher, the grease filter may discolour slightly, but this does not affect its filtering capacity.

To remove the grease filter **B**, pull the spring release handle.

Charcoal filter (filter version only)

It absorbs unpleasant odours caused by cooking.

The saturation of the activated charcoal occurs after more or less prolonged use, depending on the type of cooking and the regularity of cleaning of the grease filter.

In any case it is necessary to replace the cartridge at least every four months (or when the filter saturation indication system – if envisaged on the model in possession – indicates this necessity).

To mount the carbon filter:

Open the grill turning bolts **A**.

Insert the filter into the **B** references making indicator **C** coincide with indicator **D** and turning it clockwise until it locks.

To dismantle the carbon filter, turn anti-clockwise.

Replacing lamps

Disconnect the hood from the electricity.

Warning! Prior to touching the light bulbs ensure they are cooled down.

- Remove the lamp cover "**E**" (**Fig.2**).
- Always replace burn-out lamps, according to what is

provided for your appliance, with max. 40 Watt bulbs, or
PI-lamp 11 Watt.

Re-close the lamp cover. If the lights do not work, make sure that the lamps are fitted properly into their housings before you call for technical assistance.

Caution

Never use the hood without the grill mounted!

The hood must NEVER be used as a support unless expressly indicated.

The appliance is not intended for use by young children or infirm persons without supervision.

Young children should be supervised to ensure that they do not play with the appliance.

The premises must have sufficient ventilation when the kitchen hood is used at the same time as other apparatuses fuelled by gas or other fuels.

The sucked air must not be conveyed in a conduit used for discharging fumes produced by apparatuses fuelled by gas or other fuels.

Cooking food on the flame under the hood is severely prohibited.

The use of open flame damages the filters and can cause a fire; it must therefore be avoided in any case.

Frying must be carried out under control in order to prevent overheated oil catching fire.

Keep strictly to the regulations envisaged by the competent local authority as far as the technical and safety measures to adopt for discharging fumes are concerned.

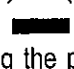
The hood is to be cleaned frequently both internally and externally.

Failure to observe the regulations about cleaning the hood and substituting and cleaning the filters can lead to the risk of fire.

Any responsibility is declined for possible inconveniences, damage or fire caused to the apparatus deriving from failure to observe the instructions shown in this manual.

This appliance is marked according to the European directive 2002/96/EC on Waste Electrical and Electronic Equipment (WEEE). By ensuring this product is disposed of correctly, you will help prevent potential negative consequences for the environment and human health, which could otherwise be caused by inappropriate waste handling of this product.



The symbol  on the product, or on the documents accompanying the product, indicates that this appliance may not be treated as household waste. Instead it shall be handed over to the applicable collection point for the recycling of electrical and electronic equipment. Disposal must be carried out in accordance with local environmental regulations for waste disposal.

For more detailed information about treatment, recovery and recycling of this product, please contact your local city office, your household waste disposal service or the shop where you purchased the product.