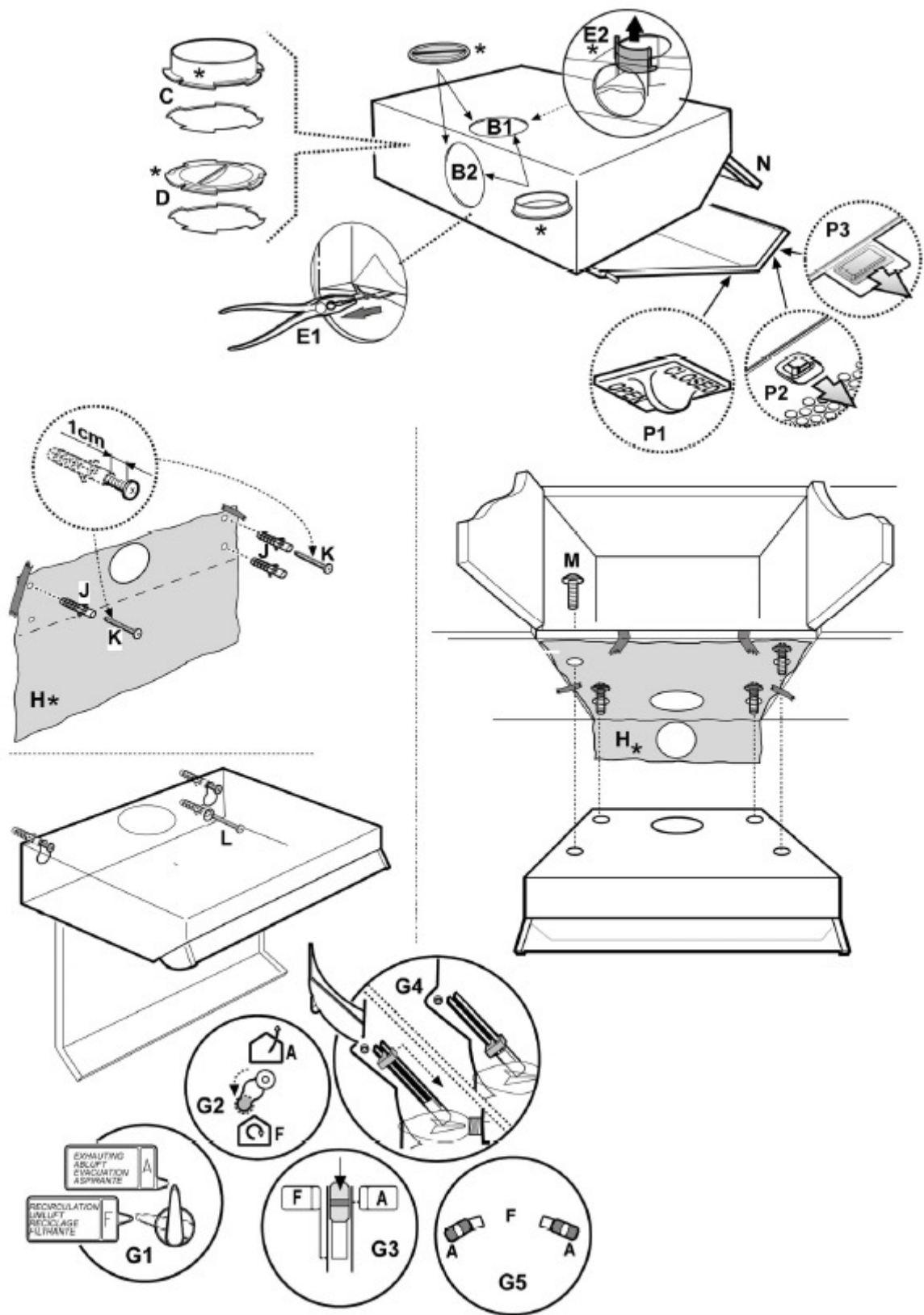


Instruction Manual

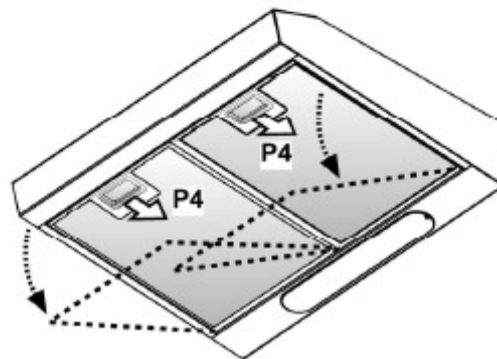
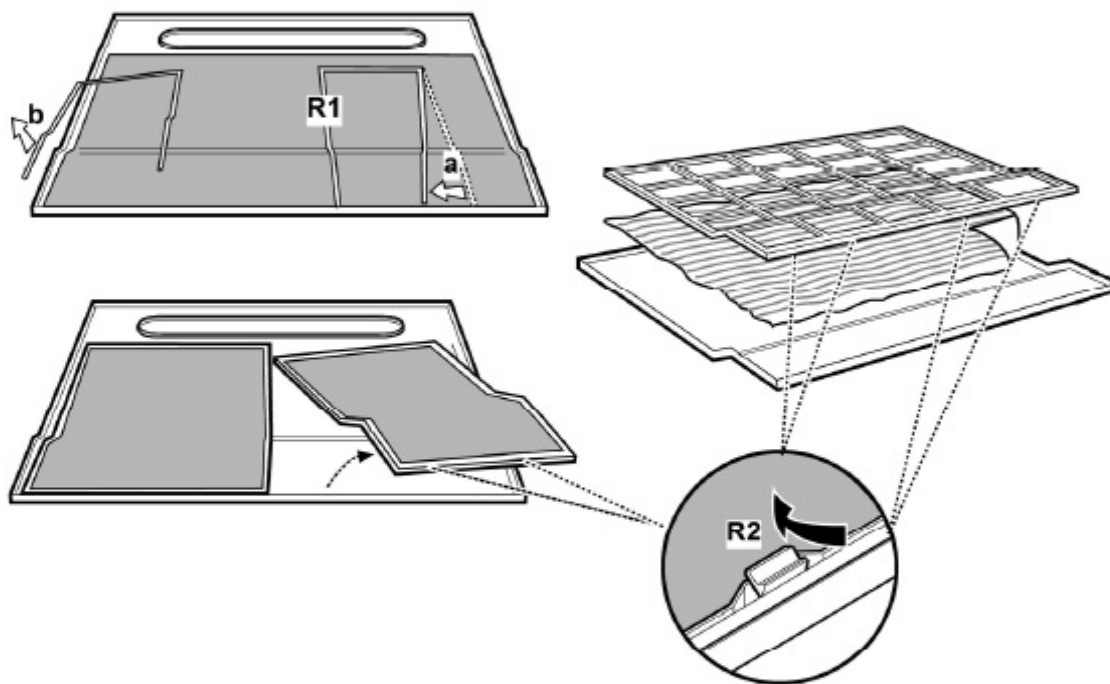
ANDI ARV60X RANGEHOOD





Fettfilter
Grease filter
Filtre anti-gras
Vetfilter
Filtro antigrasso
Filtro antigrasa
Filtro antigordura
 Φίλτρο για τα λιπτοι
 Filtr przeciwtluszczowy
 Tukový filtr
 Protitukový filter

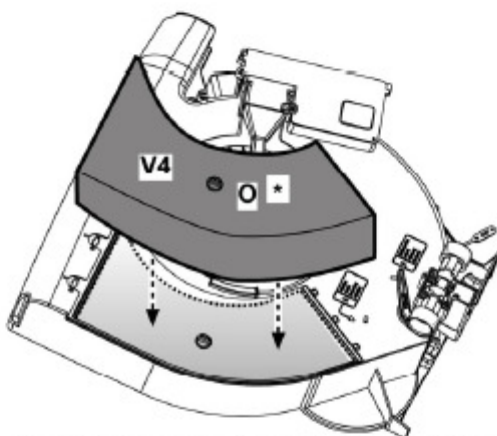
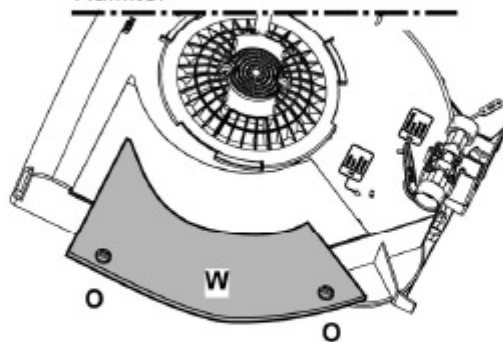
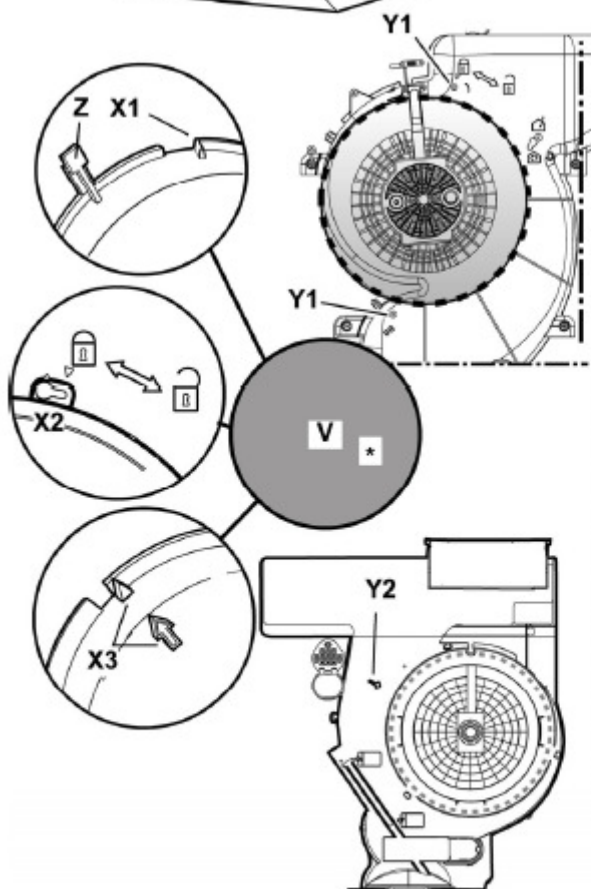
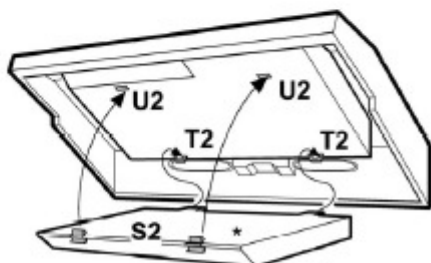
Zsírszűrő filter
 Фильтры задержки жира
 Филтър за мазнини
 Filtru anti-grăsimi
 Fettfilter
Rasvasuodatin
Fettfilteret
Fedfilter



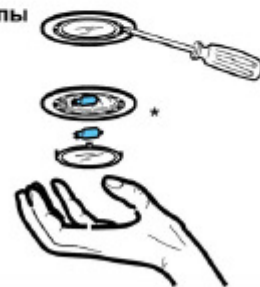
Aktivkohlefilter
Charcoal filter
Filtre à charbon actif
Koolstofffilter
Filtro ai carboni attivi
Filtro al carbón activo
Filtro de carvão ativo

Φίλτρο ανθρακα
Filtr na węgiel
Filtr s aktivním uhlíkem
Uhoľný filter
Szénfilter
Угольный фильтр

Филтър с активен въглен
Filtro de cărbune
Kolfilter
Hiilisuodatin
Karbonfilter
Kulfilter



Ersetzen der Halogenlampe
Replacing the halogen bulbs
Remplacement des lampes halogène
Halogenlamp vervanging
Sostituzione lampada alogena
Substitución lámparas halógenas
Substituição das lâmpadas de halógenos
Wymiana lamp halogenowych
Výměna halogenového svítidla
Výměna halogenového svítidla
Halogén izzó cseréje
Замена галогенной лампы
Подмяна на халогенна
лампа
Schimbarea becului halogen
Byte av halogenlampor
Halogenilampun vaihto
Utskifting av halogenpære
Udskifting af halogenpære



EN - Instruction on mounting and use

Consult the designs in the front pages referenced in the text by alphabet letters.

Closely follow the instructions set out in this manual. All responsibility, for any eventual inconveniences, damages or fires caused by not complying with the instructions in this manual, is declined.

Note: the elements marked with the symbol "(*)" are optional accessories supplied only with some models or elements to purchase, not supplied.



Caution

WARNING! Do not connect the appliance to the mains until the installation is fully complete.

Before any cleaning or maintenance operation, disconnect the hood from the mains by removing the plug or disconnecting the home mains switch.

The appliance is not intended for use by children or persons with impaired physical, sensorial or mental faculties, or if lacking in experience or know-how, unless they are under supervision or have been trained in the use of the appliance by a person responsible for their safety.

Children should be monitored to ensure that they do not play with the appliance.

Never use the hood without effectively mounted grating.!

The hood must NEVER be used as a support surface unless specifically indicated.

The premises must be sufficiently ventilated, when the kitchen hood is used together with other gas combustion devices or other fuels.

The suctioned air must not be conveyed into a conduit used for the disposal of the fumes generated by appliances that combust gases or other fuels.

The flaming of foods beneath the hood itself is severely prohibited.

The use of exposed flames is detrimental to the filters and may cause a fire risk, and must therefore be avoided in all circumstances.

Any frying must be done with care in order to make sure that the oil does not overheat and burst into flames.

As regards the technical and safety measures to be adopted for fume discharging it is important to closely follow the relations provided by the competent authorities.

The hood must be regularly cleaned on both the inside and outside (AT LEAST ONCE A MONTH, it is in any event necessary to proceed in accordance with the maintenance instructions provided in this manual)..

Failure to follow the instructions as concerns hood and filter cleaning will lead to the risk of fires.


Do not use or leave the hood without the lamp correctly mounted because of the possible risk of electric shocks.

We decline any responsibility for any problems, damage or fires caused to the appliance as the result of the non-observance of the instructions included in this manual.

This appliance is marked according to the European directive 2002/96/EC on Waste Electrical and Electronic Equipment (WEEE). By ensuring this product is disposed of correctly, you

will help prevent potential negative consequences for the environment and human health, which could otherwise be caused by inappropriate waste handling of this product.



The symbol  on the product, or on the documents accompanying the product, indicates that this appliance may not be treated as household waste. Instead it should be taken to the appropriate collection point for the recycling of electrical and electronic equipment. Disposal must be carried out in accordance with local environmental regulations for waste disposal.

For more detailed information about treatment, recovery and recycling of this product, please contact your local council, your household waste disposal service or the shop where you purchased the product.

Use

The hood is designed to be used either for exhausting or filter version.

Ducting version

The cooker hood has an upper air duct **B1** and an optional rear air duct **B2***, for external fumes exit.

Select the suitable air duct and apply the flange **C** supplied, ensure to close the unused hole duct with cap **D*** supplied if provided.

Note: in some models upper hole **B1** is supplied closed: Press firmly to detach the detachable part that closes the outlet hole and remove it.

Attention! The detachable part cannot be mounted in position again. Carry out this operation only if you are sure of the type of installation to make.

Caution! In some models the rear hole duct is not easily accessible, even when the tap (if mounted) is removed, in this case remove the plastic piece **E1** or **E2** that is blocking the hole duct, by unwinding using pliers and cutter. Check that the filter/suction selector (inside the cooker hood) **G** is in the suction (**A**) position.

Filter version

In the case where it is not possible to discharge the cooking fumes externally, the cooker hood may be used in the filter version by fixing a carbon filter, the fumes and vapours are recycled via the anterior grill placed above the control panel. Check that the suction/filter selector is in the filter (**F**) position.

The models with no suction motor only operate in ducting mode, and must be connected to an external suction device (not supplied).

Installation

The minimum distance between the supporting surface for the cooking vessels on the hob and the lowest part of the range hood must be not less than 60cm from electric cookers and

75cm from gas or mixed cookers.

If the instructions for installation for the gas hob specify a greater distance, this must be adhered to.



Electrical connection

The mains power supply must correspond to the rating indicated on the plate situated inside the hood. If provided with a plug connect the hood to a socket in compliance with current regulations and positioned in an accessible area. If it is not fitted with a plug (direct mains connection) or if the plug is not located in an accessible area apply a bi-polar switch in accordance with standards which assures the complete disconnection of the mains under conditions relating to over-current category III, in accordance with installation instructions.

Warning: Before re-connecting the hood circuit to the mains supply and checking the efficient function, always check that the mains cable is correctly assembled.

Mounting

The cooker hood may be installed on the wall or on the base of a cabinet; if supplied, use the hole gauge **H** to drill the correct distance, otherwise lean the cooker hood on the wall or on the base of the cabinet and mark the holes with a pencil.

Wall mounting - Insert the wall screw anchors **J** in the drilled holes and the two **K** screws in the upper drill holes, remove the grill and hook the cooker hood to the 2 screws, finally from the inside, insert the third screw **L** and lock them all in.

Cabinet fixing - Affix the cooker hood with the 4 **M** screws from inside the cabinet.

Operation

The hood is fitted with a control panel with aspiration speed selection control and a light switch to control cooking area lights.

Use the high suction speed in cases of concentrated kitchen vapours. It is recommended that the cooker hood suction is switched on for 5 minutes prior to cooking and to leave in operation during cooking and for another 15 minutes approximately after terminating cooking.

Always open the vapour catcher **N***.

If your product is provided with an electrically or mechanically activated valve, the keys and/or the buttons and/or the handles available are for controlling the lights and for opening and closing the valve.

Maintenance

ATTENTION! Before performing any maintenance operation, isolate the hood from the electrical supply by switching off at the connector and removing the connector fuse.

Or if the appliance has been connected through a plug and socket, then the plug must be removed from the socket.

Cleaning

The cooker hood should be cleaned regularly (at least with the same frequency with which you carry out maintenance of the fat filters) internally and externally. Clean using the cloth

dampened with neutral liquid detergent. Do not use abrasive products. **DO NOT USE ALCOHOL!**

WARNING:

Failure to carry out the basic cleaning recommendations of the cooker hood and replacement of the filters may cause fire risks.

Therefore, we recommend observing these instructions.

The manufacturer declines all responsibility for any damage to the motor or any fire damage linked to inappropriate maintenance or failure to observe the above safety recommendations.

Grease filter

Traps cooking grease particles.

If situated inside the support grill, it may be one of the following types:

Paper filter must be replaced once a month or if colouring appears on upper side, in such cases the colouring is evident through the grill openings.

Sponge filter should be washed with hot soapy water once a month and replaced every 5 to 6 washes.

Metallic filter must be cleaned once a month, with non abrasive detergents, by hand or in dishwasher on low temperature and short cycle.

When washed in a dishwasher, the grease filter may discolour slightly, but this does not affect its filtering capacity.

In order to remove the grease filter **open the grill** via the **P** hooks and free the **R1** or **R2** stoppers.

The self-supporting metal filter does not include a support grill, in order to remove the filter – pull the release springs **P4** backwards and slide the filter downwards.

Charcoal filter (filter version only)

It absorbs unpleasant odours caused by cooking.

The saturation of the activated charcoal occurs after more or less prolonged use, depending on the type of cooking and the regularity of cleaning of the grease filter.

In any case it is necessary to replace the cartridge at least every four months.

The carbon filter may **NOT** be washed or regenerated.

It may be one of the following types:

Rectangular S1 or S2 or S3:

Mounting (S1 or S2) : insert the rear side **T** and hook further to the front (**U**).

Mounting (S3): Remove the cover **W** by rotating the **O** knobs to 90°, then close the cover. Proceed in the inverse for dismounting.

Circular (V1-V2-V3-various models):

Bayonet mount position the filter in the middle of the motor protection grill covering ensuring that the reference to **X1** or **X2** or **X3** on the carbon filter match the **Y1** or **Y2** references on the conveyor, then turn clockwise; in case of dismounting turn anticlockwise, if provided with a **Z** tape remember to gently lift first.

Replacing lamps

Disconnect the hood from the electricity.

Warning! Prior to touching the light bulbs ensure they are cooled down.

Replacing lightbulbs 40W - Unscrew the damaged light bulb and replace with an incandescent oval light bulb with a maximum of 40W E14. Remove the grill in order to reach the light bulb area.

Replacing the halogen bulbs - Access the light compartment – extract the lamp cover by levering it off with a small screwdriver or similar tool.

Replace the damaged light bulb. Only use halogen bulbs of 20W max (G4), making sure you do not touch them with your hands. Close the lamp cover (it will snap shut).

If the lights do not work, make sure that the lamps are fitted properly into their housings before you call for technical assistance.