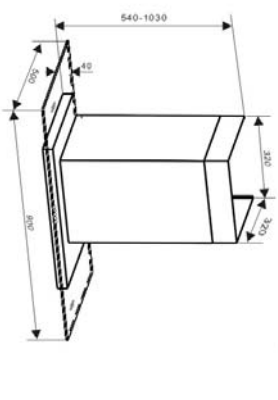


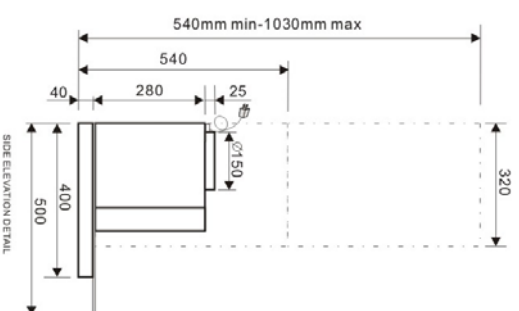
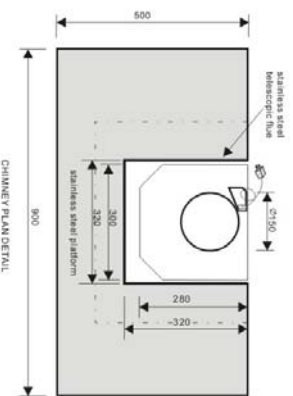
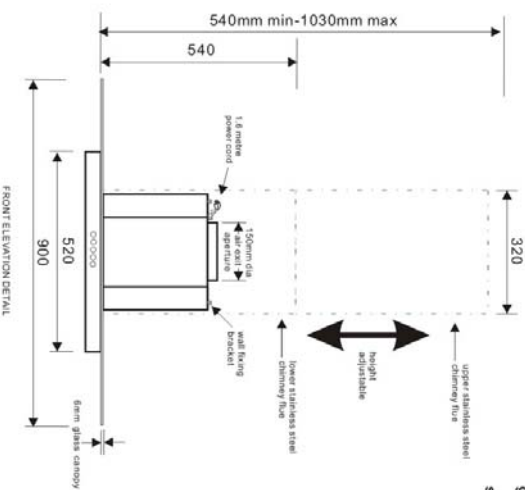
# ARFG902X

code ARFG902X

## 90cm chimney rangehood, wall mount, stainless steel and glass



<b>electrical supply</b>	240 volt, 50 Hz
<b>electrical connection</b>	1.6 metre connected power cord with 10 amp 3-pin plug for direct plugging to standard 10 amp GPO
<b>wattage</b>	220 watt motor 2 x 20-watt quartz lamps 200 watt total
<b>current</b>	1.0amp
<b>packaged dimensions</b>	1180(390)mm x445mm x570mm
<b>net weight</b>	20kg
<b>gross weight</b>	25kg
<b>supplied</b>	•instruction for installation, operation and maintenance •wood screws, raw plugs, dyna bolts, chimney bracket



**NB: drawings are not to scale—they are to assist only**

**WARNING:** technical specifications and product sizes can be varied by the manufacturer without notice. Cutouts for appliances should only be by physical product measurements. The above information is indicative only.

# ANDI

# ARFG902X

code ARFG902X

## 90cm chimney rangehood, wall mount, stainless steel and glass



<b>size</b>	900mmW x 500mmD x 1030mmH maximum
<b>finish</b>	stainless steel and 6mm glass
<b>capacity</b>	700m <sup>3</sup> /hr net, 900m <sup>3</sup> /hr gross
<b>ducting</b>	150mm diameter required
<b>motor</b>	220 watt centrifugal, twin impellers
<b>speeds</b>	3 push buttons
<b>illumination</b>	two 20-watt quartz lamps
<b>delay stop</b>	5 minute fan speeds OFF and lights OFF -touch control
<b>filtration</b>	5-ply aluminium grease filter—removable, hand wash or medium dishwasher program
<b>noise rating</b>	59 dBA maximum
<b>power cable</b>	1.6 metre connected, suits standard 10 amp GPO
<b>current</b>	1.0 amp
<b>warranty</b>	three years parts and labour



### ducting the air direct atmosphere

Ideally, the filtered air is removed from the kitchen and household to the outside of the building. This method of rangehood installation ensures maximum removal of the heat, vapours, odours and particle-laden air.

### recirculating the air to the kitchen

When it is structurally impossible to duct the filtered air to the outside of the building, the filtered air is vented back into the kitchen via the recirculation vents in the side of the chimney. A more frequent inspection and washing of the metal grease filters is recommended for this mode of installation.

The easily-removable grease filters will isolate most of the grease, oil and food particles. These filters are washable using warm, soapy water or medium dishwasher program.

# ANDI