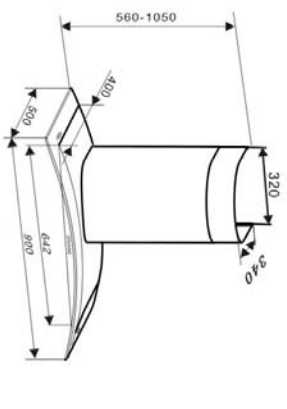


ARCG902X

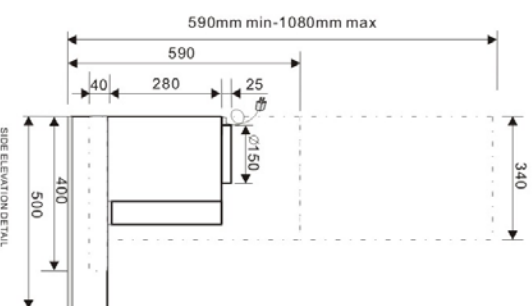
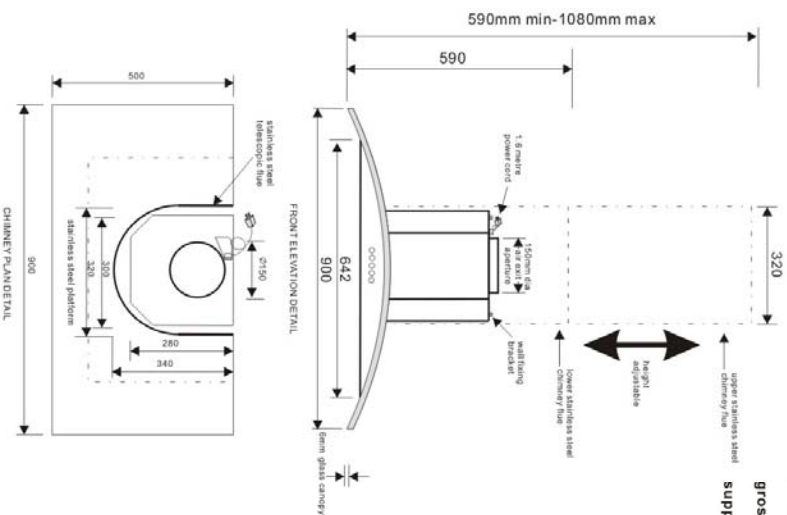
code ARCG902X

90cm chimney rangehood, wall mount, stainless steel and glass



electrical supply	240 volt, 50 Hz
electrical connection	1.6 metre connected power cord with 10 amp, 3-pin plug for direct plugging to standard 10 amp GPO
wattage	220 watt motor 2 x 20-watt halogen globes 260 watt total
current	1.0amp
packaged dimensions	1100(370)mm x 580mm x 570mm
net weight	20kg
gross weight supplied	25kg

- Instruction for installation, operation and maintenance
- wood screws, raw plugs, dyna bolts, chimney bracket



NB: drawings are not to scale—they are to assist only

WARNING: technical specifications and product sizes can be varied by the manufacturer without notice. Cutouts for appliances should only be by physical product measurements. The above information is indicative only.

ANDI

ARCG902X

code ARCG902X

90cm chimney rangehood, wall mount, stainless steel and glass



size	900mmW x 500mmD x 1080mmH maximum
finish	stainless steel and 6mm glass
capacity	700m ³ /hr net, 900m ³ /hr gross
ducting	150mm diameter required
motor	220 watt centrifugal, twin impellers
speeds	3 push buttons
illumination	two 20-watt quartz lamps
delay stop	5 minute fan speeds OFF and lights OFF -touch control
filtration	5-ply aluminium grease filter—removable, hand wash or medium dishwasher program
noise rating	59 dBA maximum
power cable	1.6 metre connected, suits standard 10 amp GPO
current	1.0 amp
warranty	three years parts and labour



ducting the air direct atmosphere

Ideally, the filtered air is removed from the kitchen and household to the outside of the building. This method of rangehood installation ensures maximum removal of the heat, vapours, odours and particle-laden air.

recirculating the air to the kitchen

When it is structurally impossible to duct the filtered air to the outside of the building, the filtered air is vented back into the kitchen via the recirculation vents in the side of the chimney. A more frequent inspection and washing of the metal grease filters is recommended for this mode of installation.

The easily-removable grease filters will isolate most of the grease, oil and food particles. These filters are washable using warm, soapy water or medium dishwasher program.

ANDI