

# AEX900D

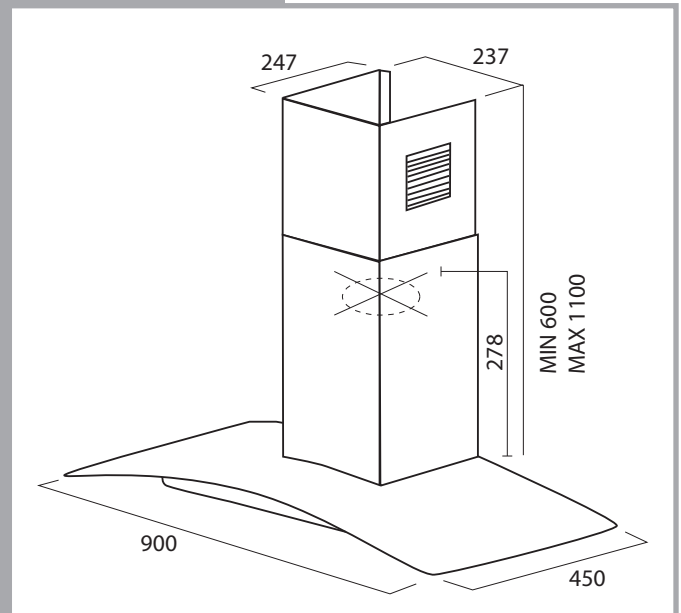
## 90cm Stainless Steel Canopy

**ANDI**  
for everyday

3 YEARS PARTS AND  
LABOUR WARRANTY



- Decorative hood
- Curved tempered glass
- Stainless steel
- Wall mounted
- Electronic touch control with display
- Ducted out 150mm outlet
- Twin fan single wheel blower 920m<sup>3</sup>/hr
- 2 x 20W halogen lamps
- Aluminum mesh filter with latch



Whilst every effort is made to ensure all specifications and information in this flyer is correct at time of printing, Andi-Co Australia Pty Ltd reserve the right to make changes without notification. Where actual appliance measurements, specifications and ratings are crucial we recommend that the actual appliance installation instructions that accompany each appliance be checked. Andi-Co Australia Pty Ltd ABN 68 005 899 365 will not be liable for any loss.